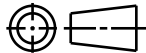
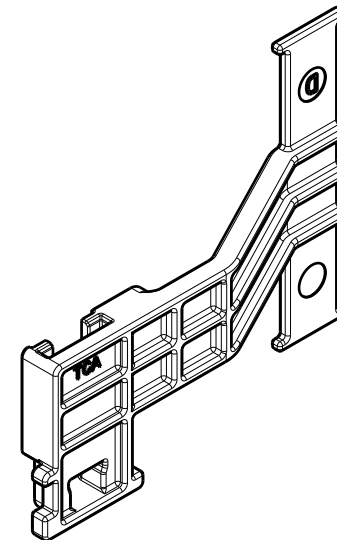
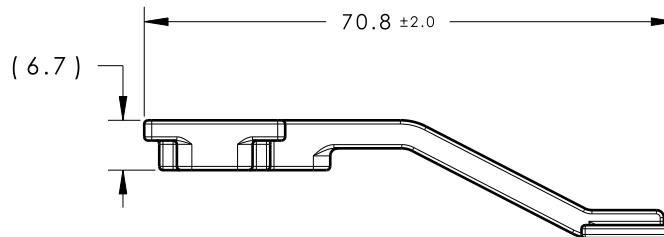


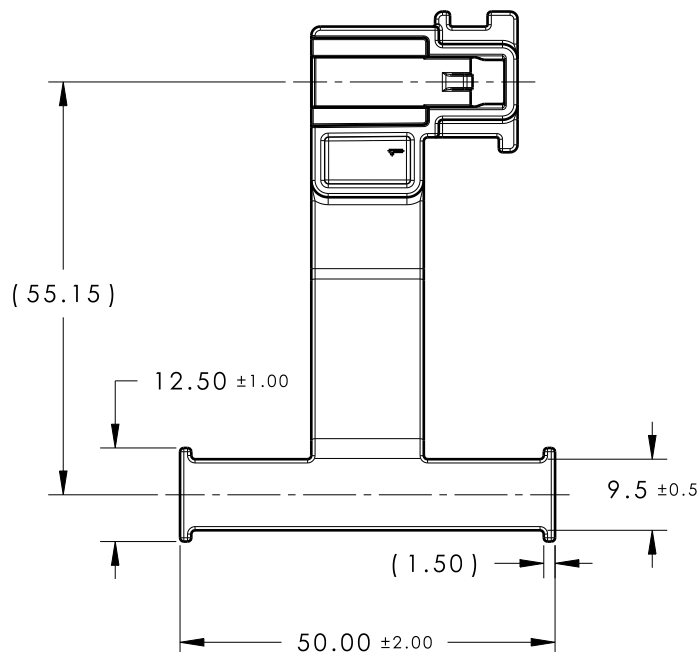
CATIA V5



Revision Level			Revision Record	Changed	Date	Approved	Date
Drawing	State	Part					
01.2	Design Release	-	SEE ECN# 015456	JMC	9/30/19	EJH	9/30/19



ISOMETRIC VIEW



- NOTES:
1. MAXIMUM PERCENT REGRIND PERMISSIBLE: 25%
  2. MAX ALLOWABLE FLASH OR MISMATCH TO BE: 0.2mm IN CONNECTOR CLIP AREA, 0.5mm REST OF THE PART.

01.2	GLOBAL PART DESCRIPTION	MATERIAL	COLOR
	BCBRKT55M-PPS-ML	PPS	SILVER

Material  
SEE CHART  
COLOR: SEE CHART

Units **millimeters**  
  
Tolerance defined on each dimension

The copyright of this drawing is reserved by HellermannTyton. It is issued on condition that it is not reproduced, copied or disclosed to a third party, either wholly or in part, without the consent of HellermannTyton.

Drawn	CJR	1/21/16
Approved	KVH	1/21/16
<b>HellermannTyton</b>		
North America Email: corp@htamericas.com Web: www.hellermann.tyton.com		

Article/Type-No	BCBRKT55M	Scale	1:1
Title	55mm OFFSET TAPE ON BRACKET	Project Number	15-0878
Drawing-No	15-0878-001-CSU	Format	AH
PRODUCTION : Phase		Sheet	1/1