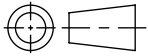
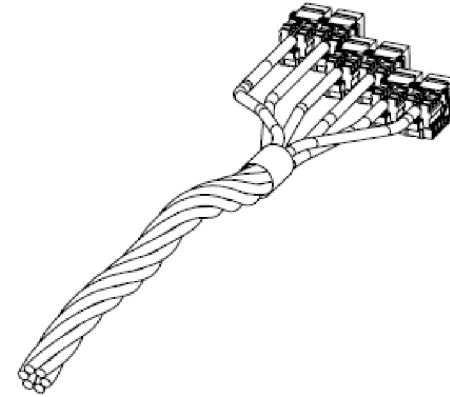
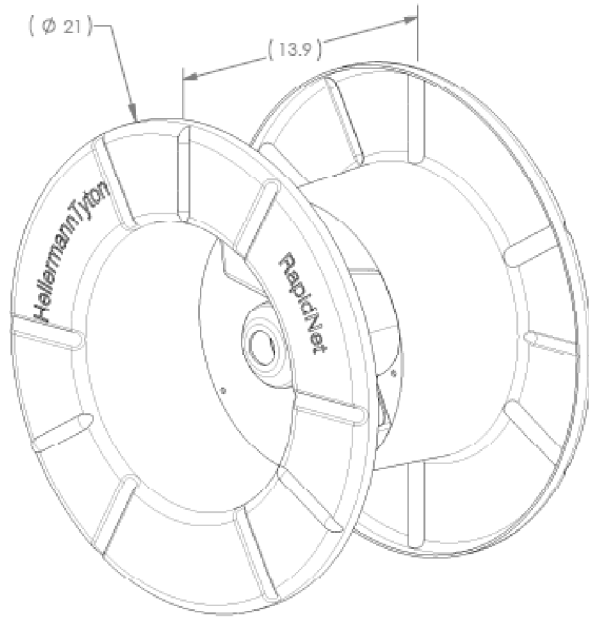


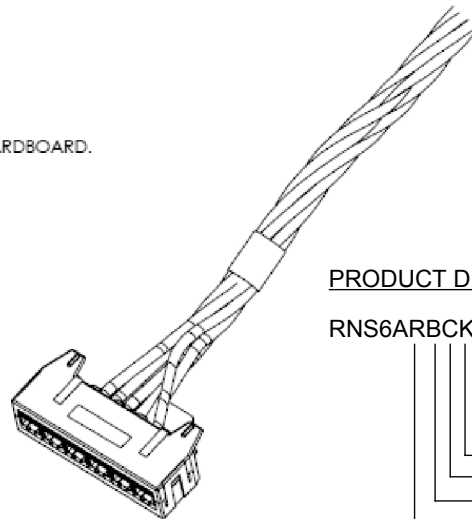
SW2015



Revision level			Revision Record	Changed	Date	Approved	Date
Drawing	State	Part					
01.1	Design Release		SEE ECN# 013701	GRW	1/31/2017	KAC	1/31/2017



CABLE ASSEMBLIES LONGER THAN 75 FEET WILL BE WOUND ONTO A SPOOL.  
THE ENDS ARE PROTECTED WITH BUBBLE WRAP AND THE CABLE IS WRAPPED IN CARDBOARD.  
CABLE ASSEMBLIES LESS THAN 75 FEET WILL BE IN A BOX.



**PRODUCT DESCRIPTION:**

**RNS6ARBCKJBXXX**

- \_\_\_\_\_ LENGTH IN FEET
- \_\_\_\_\_ COLOR - BLUE
- \_\_\_\_\_ TERMINATION END 2 - JACK PAIR STAGGER RIGHT
- \_\_\_\_\_ COLOR - BLACK
- \_\_\_\_\_ TERMINATION END 1 - CASSETTE
- \_\_\_\_\_ CABLE COLOR - BLUE
- \_\_\_\_\_ CABLE RATING - RISER

**NOTES**

- 1) PART NUMBER "RNS6ARBCKJBXXX": XXX = 10' - 295'
- 2) PRODUCT IS FULLY ASSEMBLED AND TESTED. READY TO INSTALL
- 3) CASSETTE SNAPS INTO RAPIDNET RACK MOUNT.

Material <b>ASSEMBLED</b>	Units: <b>millimeters</b>	The copyright of this drawing is reserved by HellermannTyton. It is issued on condition that it is not reproduced, copied, or disclosed to a third party, either wholly or in part, without the consent of HellermannTyton.	Drawn	GRW	8/22/2016	Article/Type-No	904-00924 / RNS6ARBCKJBXXX	Scale	
	Dimension without tolerances details to: .XXX = ±.013 .XX = ±.13 .X = ±.3 None = ±.8 ∠ = ±0.5° Dimension Formatted mm/[in]		Approved	KAC	8/22/2016	Title	<b>RAPIDNET CAT6 UTP RNS CASSETTE TO JACK PAIR STAGGER RIGHT</b>	Project Number	PRP 16-1339
	HellermannTyton North America Email: corp@htamericas.com Web: www.hellermann.tyton.com		Drawing-No		PRODUCTION : Phase		Format	AH	
			<b>16-1339-002-CSU</b>				Sheet	1/1	