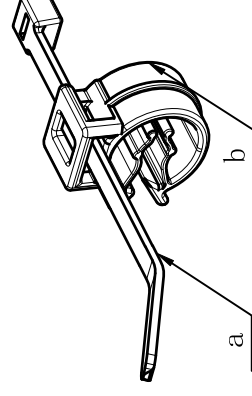
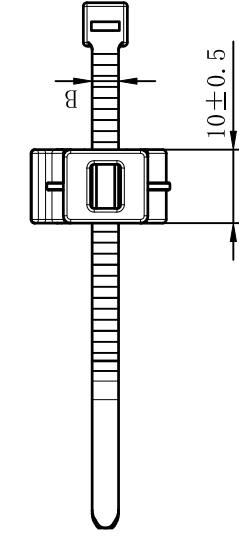
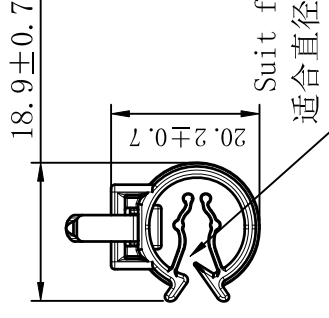
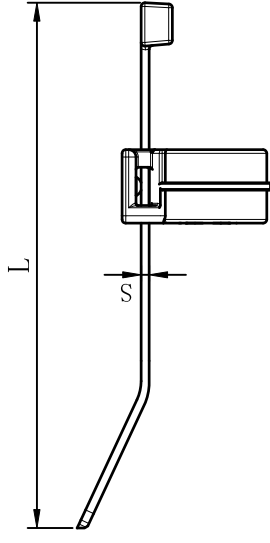
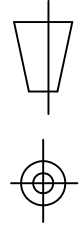


Revision No. 变更数	Revisions 变更事项	Changed 修改者	Date 日期	Approved 确认者	Date 日期
---------------------	-------------------	----------------	------------	-----------------	------------



a Cable tie T50I  
/扎带 T50I  
b Clip OC1  
/固定器 OC1

Part type 产品型号	Length/ 长度L±10	Width/ 宽度B±0.3	Thickness/ 厚度S±0.2	Bundle φ 捆绑直径 Max.	Tensile Strength 环形拉断力 Min.
T50I0C1B	300	4.6	1.2	85mm	225N



CAD

The copyright of this drawing is reserved by HELLERMANN TYTON. It is issued on condition that it is not reproduced, copied or disclosed to a third party, either wholly or in part, without the consent of HELLERMANN TYTON.

Drawn/制图	Ben. Lv	Scale/比例	1:1
Approved/审核	Kevin	Title/品名	T50I0C1B

**HellermannTyton**

海尔曼大通 (无锡) 电器配件有限公司  
(WUXI) Electrical Accessories Co., Ltd.

Tel: +86-510-85282536

Fax: +86-510-85280112

Dimension Units  
尺寸  
mm

Performance/性能  
Specification/规范

Drawing-No./图号

17-0147-001-CSC

Format  
格式 A4

Page  
页数 1/1