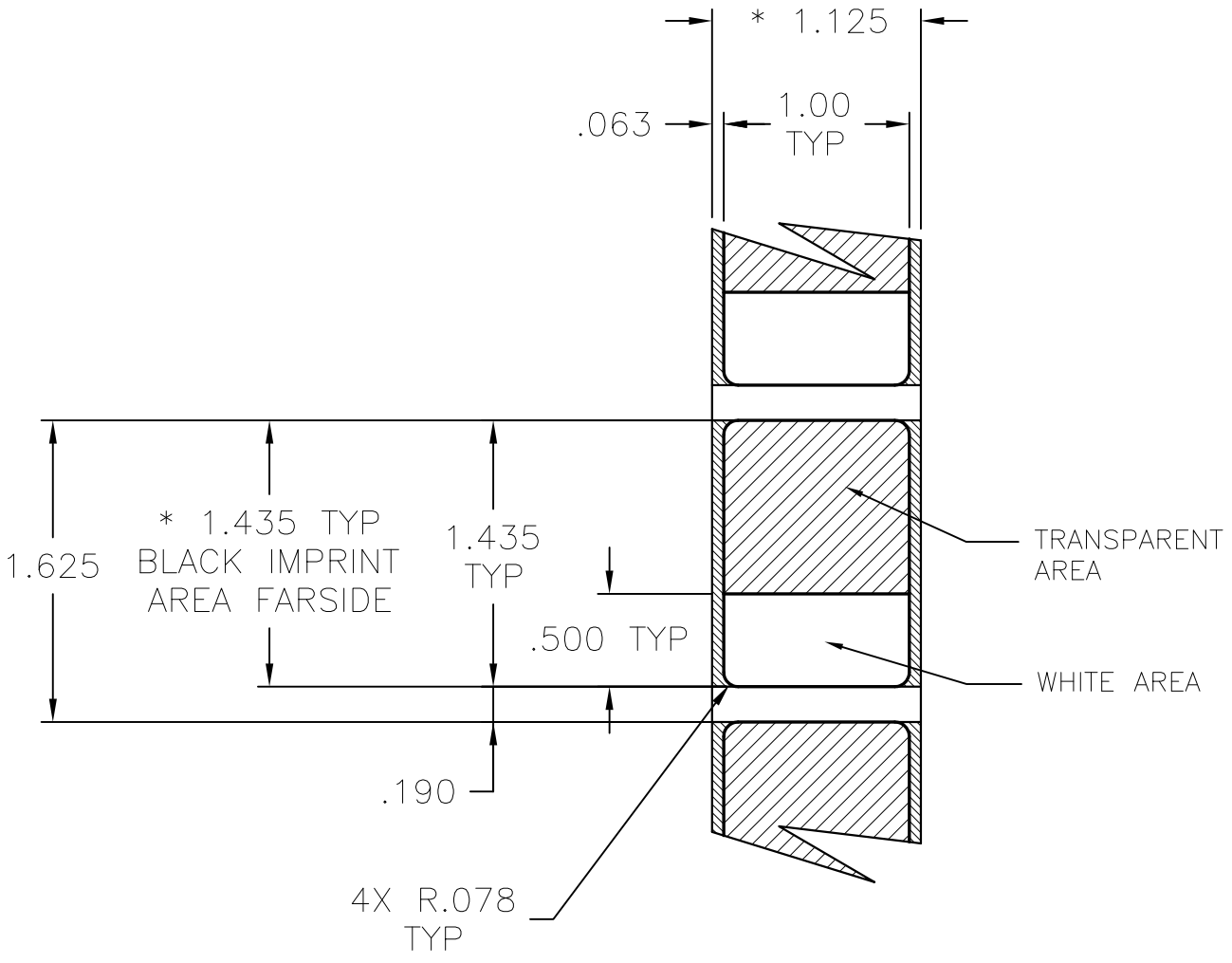


name	date	city, state

NOTES

\* DIMENSIONS FOR FAR SIDE OF RELEASE LINER



1,000 WHITE/TRANSPARENT LABELS PER ROLL  
1 ACROSS

REVISION	level	01
	date	08/09/13
	by	AAC
	ECN #	012427
part level	-	

DIMENSIONS	.XXXX=±.0005
	.XXX=±.005
	.XX=±.01
	.X=±.03
	∠=±0.5°
unless otherwise specified	
units	inches

PART	number	TAG22T1-100B	phase	PRODUCTION
	name	TAG22T1-100B THERMAL TRANSFER SELF-LAMINATING LABEL		
	material	100 SELF-LAMINATING VINYL		

DRAWING	FORMAT	AV	version	M	CAD	ACAD	scale	1X	
	computer file number	LA\DTL\3002160_01							
	drawn	A.A.C.	checked	K.A.C.	approved				
	date	08/09/13	date	08/09/13	sheet	1 of 1			
	type	DETAIL				number	LA3002160DTL		