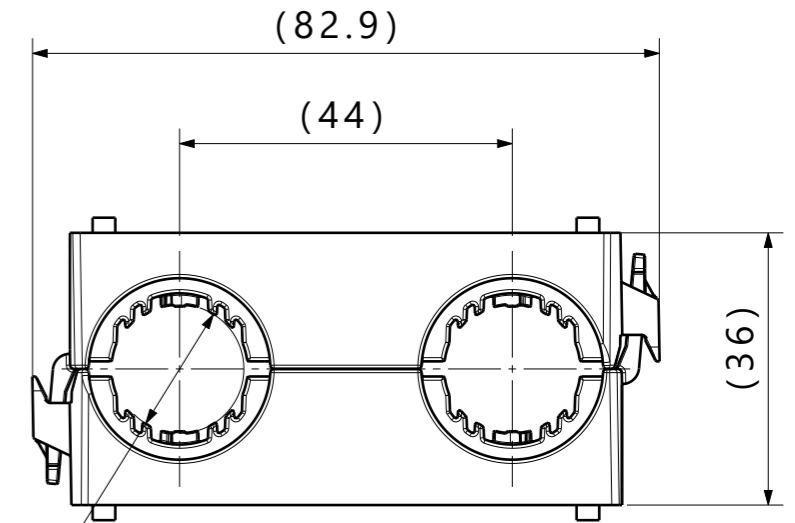
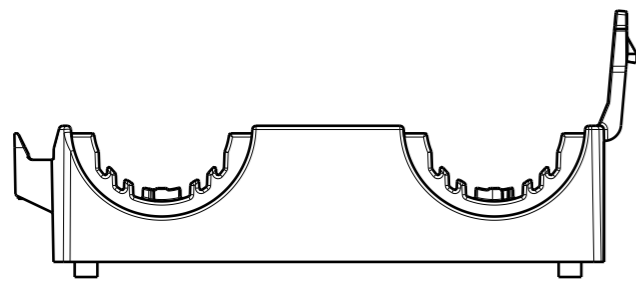


Assembled example isometric view

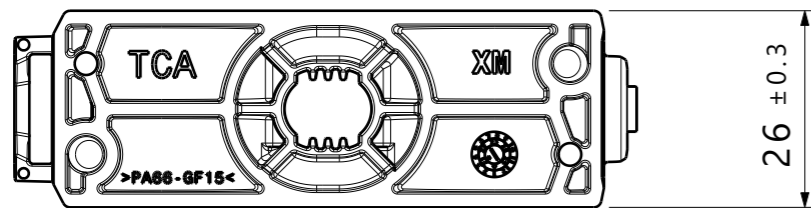
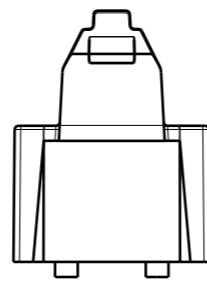


Assembled example front view

2X(Ø17)



Delivery condition



Notes:

1. Material: See chart
2. Material color: See chart
3. Maximum percent regrind permissible: 0%
4. Max allowable flash to be: 0.50mm
5. Max allowable mismatch to be: 0.1mm
6. Threaded stud length to be at least: 40mm
7. Applicable stud size:
A. M8 x 1.25 Threaded



Global Part Description	Housing		
	Drawing	Material	Color
HDC17X2-PA66GF15/TPE-BK	21-0307-005-CSU	PA66GF15/TPE	Black

Revision Level			Revision Record	
Drawing	State	Part	ECN 310292	
03.1	Design Release			
Changed	Date (YYYY/MM/DD)			
Rohde	2023/09/12			
Approved	Date (YYYY/MM/DD)			
Van Hulst	2023/09/13			

The copyright of this drawing is reserved by HellermannTyton.	Drawn	Date (YYYY/MM/DD)	Title	Scale
	Rohde	2021/09/02		
Approved	Date (YYYY/MM/DD)	Drawing-No	Global Project Number	
Haftarski	2022/01/14			21-0307-105-CSU
Units			Format	
mm				www.HellermannTyton.com
		Sheet	1 / 1	