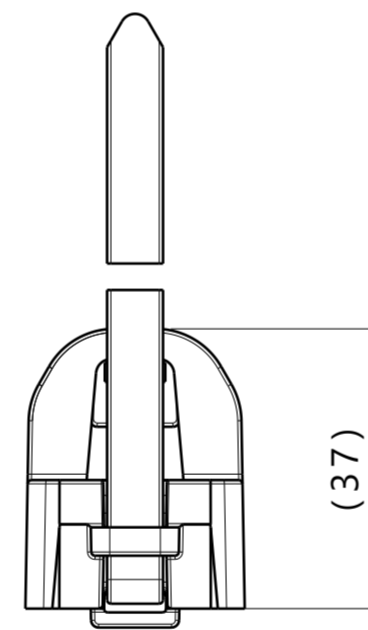
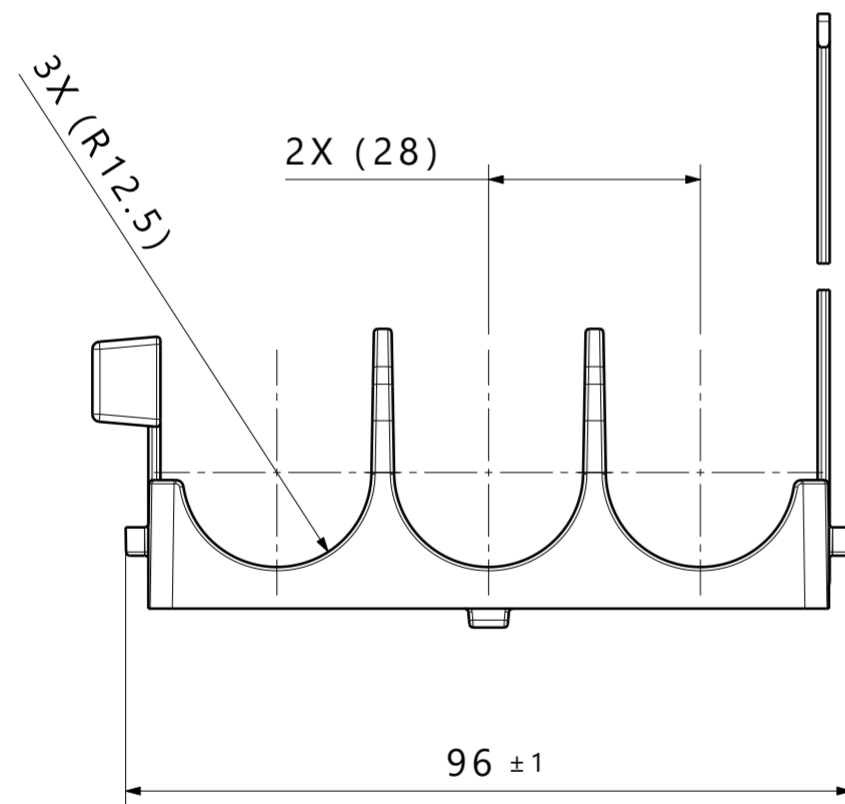


Isometric view



Notes:

1. Material: See chart
2. Material color: See chart
3. Maximum percent regrind permissible: 25%
4. Max allowable flash to be: 0.5mm
5. Max allowable mismatch to be: 0.1mm

Global Part Description	Bracket			Cable Tie		
	Drawing	Material	Color	Drawing	Material	Color
T120Triple25-PA66HIRHSUV-BK	22-0207-001-CSU	PA66HIRHSUV	Black	CT2120003CST	PA66HIRHSUV	Black

Revision Level			Revision Record			The copyright of this drawing is reserved by HellermannTyton.	Drawn	Date (YYYY/MM/DD)	Title	Scale	
Drawing	State	Part	ECN 017367				All drawing revisions are stored in CAD PDM database	Cottrill			2023/02/02
00.0	Design Release	-				Approved		Date (YYYY/MM/DD)			
Changed	Date (YYYY/MM/DD)				Duncan	2023/02/02					
Cottrill	2023/02/02										
Approved	Date (YYYY/MM/DD)						Units		Drawing-No	Format	
Duncan	2023/02/02						mm				22-0228-101-CSU
							 www.HellermannTyton.com		Sheet		