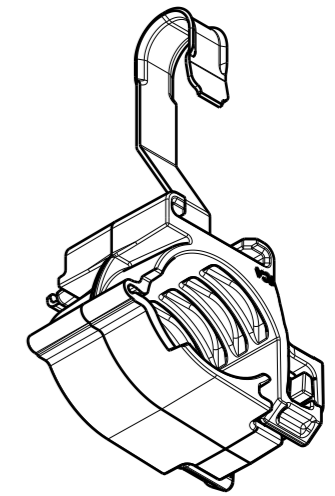
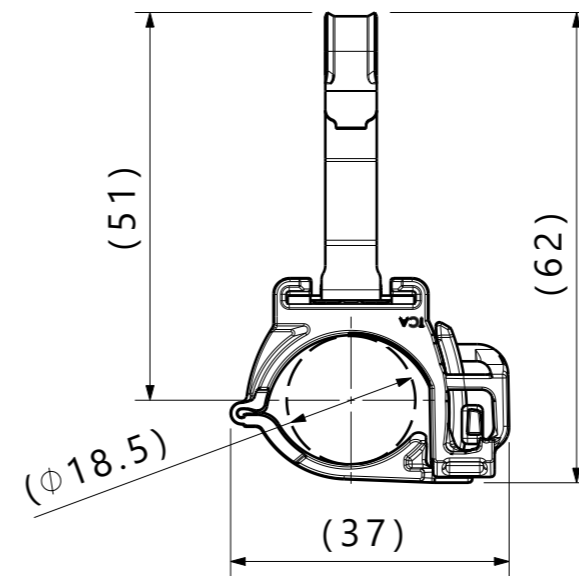


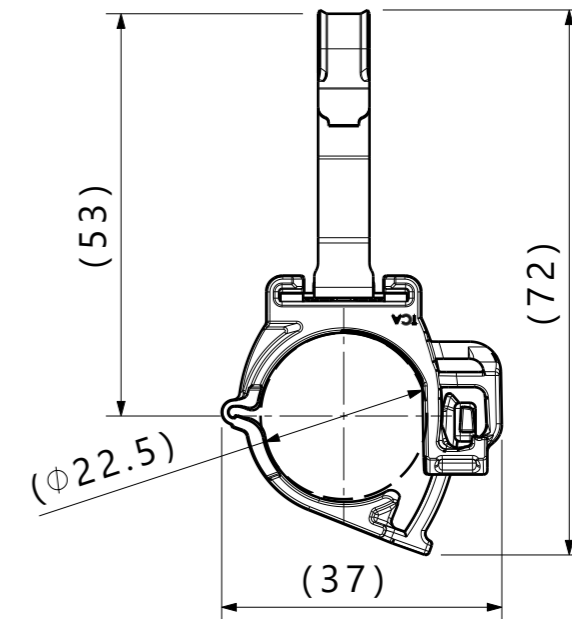
Isometric view
Open



Isometric view
Closed minimum bundle diameter



Reference view
Closed minimum bundle diameter



Reference view
Closed maximum bundle diameter

Global Part Description	Bundle Range (mm)	ROC18.5-22.5SLOT17			RCSTPNEXTT	
		Drawing	Material	Color	Material	Color
ROC18.5-22.5NXT-PA66HIRHSUV/SS304-BK	18.5-22.5	23-0109-001-CSU	PA66HIRHSUV	Black	Stainless Steel	Silver

Revision Level		
Drawing	State	Part
00.1	Design Release	-
Changed	Date (YYYY/MM/DD)	
Karabon	2024/04/04	
Approved	Date (YYYY/MM/DD)	
Van Hulst	2024/04/04	

Revision Record	
ECN 311083	

All drawing revisions are stored in CAD PDM database

The copyright of this drawing is reserved by HellermannTyton.

Drawn	Date (YYYY/MM/DD)
Karabon	2024/04/04
Approved	Date (YYYY/MM/DD)
Van Hulst	2024/04/04

Title		Scale
Ratchet O-Clamp, 18.5-22.5mm, with M8 solar attachment		1:1
Drawing-No		Global Project Number
24-0677-001-CSU		24-0677
		Format
		A3
		Sheet
		1 / 1

HellermannTyton
 www.HellermannTyton.com