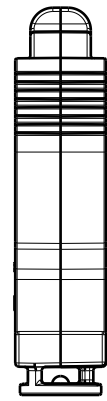
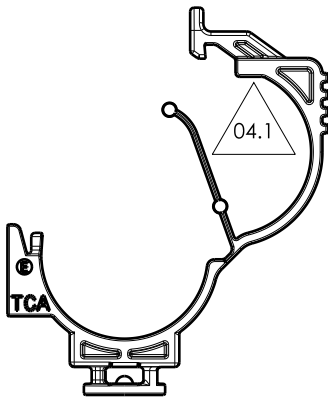
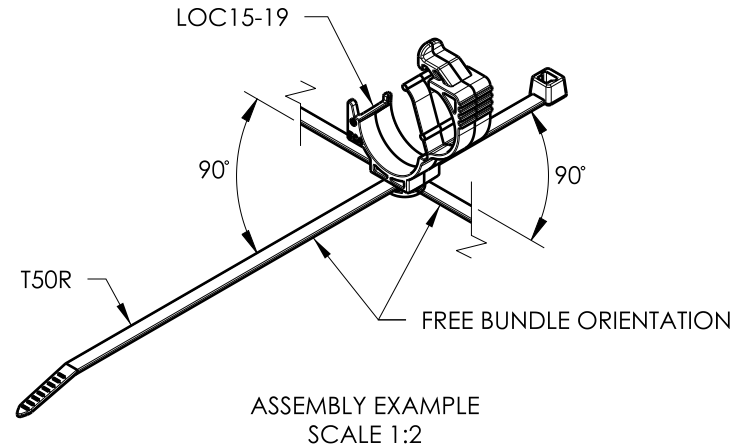
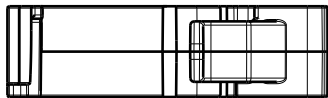
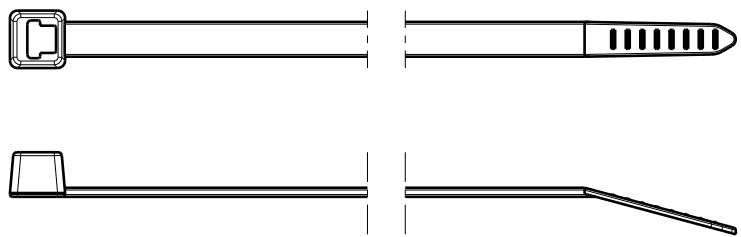


Revision Level			Revision Record	Changed	Date	Approved	Date
Drawing	State	Part					
04.1	Design Release	E	SEE ECN# 012751	KVH	7/28/14	EJH	8/6/14

LOC15-19
DELIVERY CONDITION: UNASSEMBLED SET



T50R
DELIVERY CONDITION: UNASSEMBLED SET



TYPE	BUNDLE RANGE	CABLE TIES		MOUNT	
		DRAWING	MATERIAL	DRAWING	MATERIAL
T50RLOC15-19-SET	5 TO 50	CT2050007CST	PA66HS	12-0429-001-CSU	PA66HIRHS

Material
SEE CHART

Units millimeters

Tolerance defined on each dimension

The copyright of this drawing is reserved by HellermannTyton. It is issued on condition that it is not reproduced, copied or disclosed to a third party, either wholly or in part, without the consent of HellermannTyton.

Drawn	KVH	5/24/13
Approved	SJA	6/10/13
HellermannTyton		
North America Email: corp@htamericas.com Web: www.hellermann.tyton.com		

Article/Type-No SEE CHART
Title LOCKING OMEGA CLIP (15-19mm BUNDLE) WITH T50R CABLE TIE
Drawing-No PRODUCTION : Phase
12-0429-111-CSU

Scale 1:1
Project Number 12-0429
Format AH
Sheet 1/1