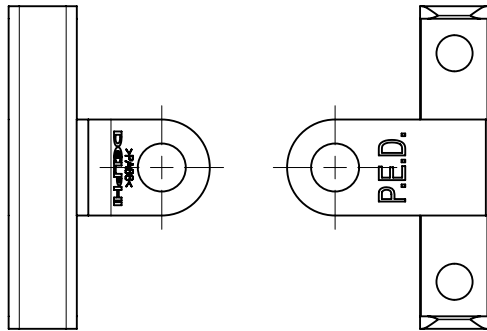
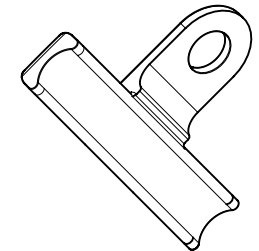
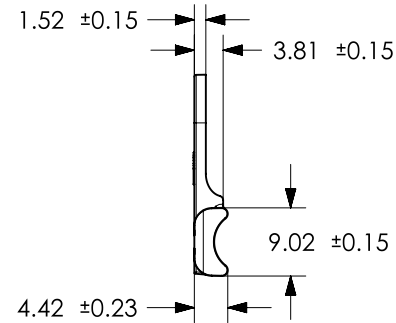




Revision Level			Revision Record	Changed	Date	Approved	Date
Drawing	State	Part					
03.1	Design Release	-	SEE ECN# 015166	NHK	05/23/19	HDC	05/23/19



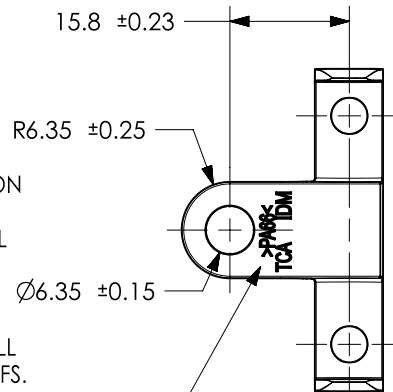
OPTIONAL ENGRAVING



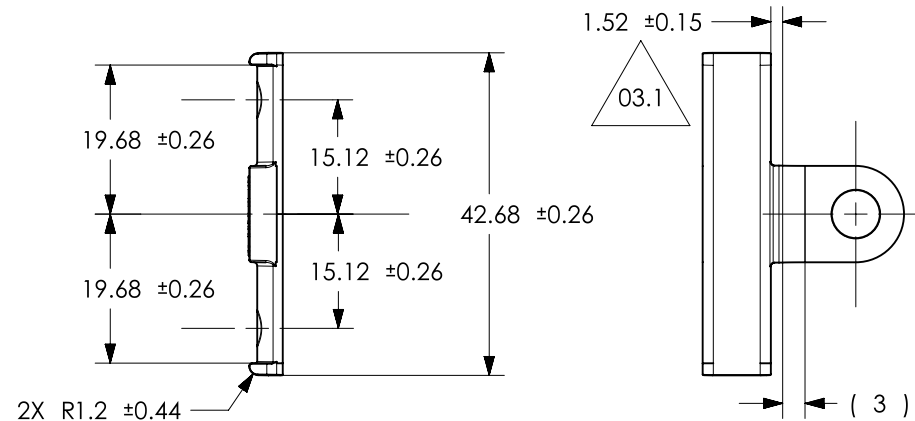
ISOMETRIC VIEW

NOTES

- UNLESS OTHERWISE SPECIFIED AND/OR INDICATED: DIMENSIONS ARE TO FACE OF VIEW SHOWN AND AUTOMATICALLY ROUNDED BY COMPUTER FOR INSPECTION (SEE MATH MODEL FOR PRECISE DIMENSIONS). FOR ALL OTHER DIMENSIONS NOT SHOWN BUT REQUIRED FOR TOOL BUILD, SEE MATH MODEL FOR PRECISE TOOL PATH DATA.
- DRAWING TO BE INTERPRETED IN ACCORDANCE WITH ANSI Y14.5M-1994 AS AMENDED BY THE GW GLOBAL DIMENSIONING AND TOLERANCING ADDENDUM-1997. ALL GEOMETRIC TOLERANCES AND RELATED DATUMS APPLY RFS. RULE #1 (PERFECT FORM AT MMC) DOES NOT APPLY WHEN RELATIONSHIP BETWEEN FEATURES IS ESTABLISHED BY ORIENTATION OR LOCATION TOLERANCES. SEPARATE POSITION CALLOUTS MAY BE GAGED SEPARATELY, REGARDLESS OF DATUM REFERENCE. ALL DIMENSIONS ARE IN MILLIMETERS.
- THIS PRODUCT IS NOT CATEGORIZED AS AN APPEARANCE ITEM, MINOR IMPERFECTIONS INCLUDING, BUT NOT LIMITED TO, FLOW MARKS, COLOR BLEMISHES, AND GATE VESTIGES THAT DO NOT AFFECT THE FIT, FORM, OR FUNCTION OF THE PART ARE PERMISSIBLE PER SPEC : S-QA-10.3-9.
- MAXIMUM PERCENT REGRIND PERMISSIBLE: 25%
- MAX ALLOWABLE FLASH TO BE: 0.25mm
- MAX ALLOWABLE MISMATCH TO BE: 0.1mm



CAVITY ID, TCA, AND RECYCLE CODE TO BE SHOWN ON THIS SURFACE



PART NUMBER	GLOBAL PART DESCRIPTION	MATERIAL	COLOR
15439361	BC43OS16PH6.35-PA66HIRHS-WH	PA66HIRHS SIMILAR TO POLYAMID	CREAM
13831285	BC43OS16PH6.35-PA66HIRHS-GN	PA66HIRHS SIMILAR TO POLYAMID	LIGHT GREEN

THIS DRAWING SUPERCEDES DELPHI DWG. 15439362 REV 08

Material SEE CHART	Units millimeters	The copyright of this drawing is reserved by HellermannTyton. It is issued on condition that it is not reproduced, copied or disclosed to a third party, either wholly or in part, without the consent of HellermannTyton.	Drawn	NHK	07/07/18	Article/Type-No	BC43OS16PH6.35	Scale	1:1
	Tolerance defined on each dimension		Approved	TAT	08/02/18	Title	TAXI MOUNT CLIP TAPE ON ROUND HOLE	Project Number	18-0395
<p>North America Email: corp@htamericas.com Web: www.hellermann.tyton.com</p>			Drawing-No		PRODUCTION : Phase	Format	AH		
			18-0395-001-CSU		Sheet	1 / 1			