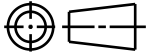
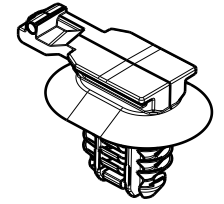
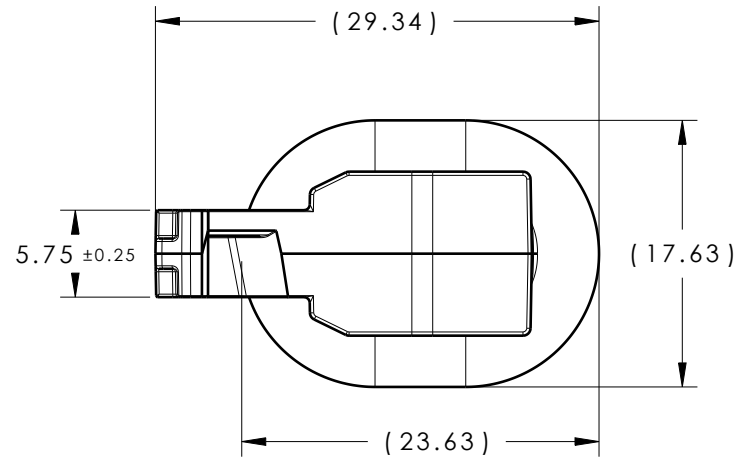


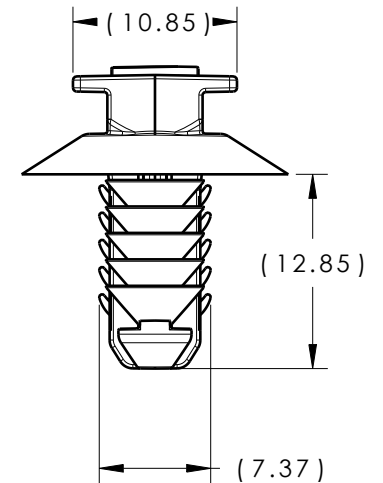
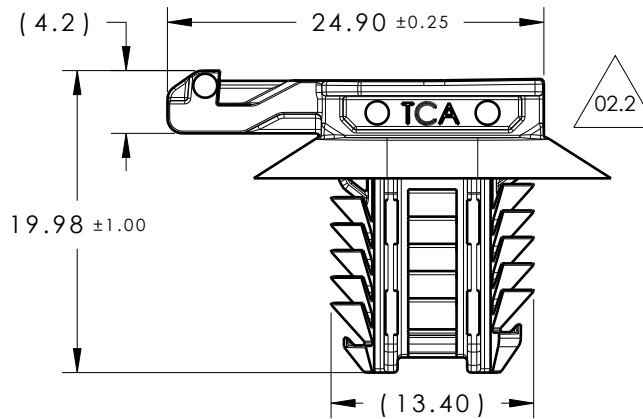
CATIA V5



Revision Level			Revision Record	Changed	Date	Approved	Date
Drawing	State	Part					
02.2	Design Release		SEE ECN# 014211	SJA	6/28/17	CJR	6/29/17



ISOMETRIC VIEW
SCALE: 1:1



REFERENCE:

PERFORMANCE REQUIREMENTS:

1. FIR TREE PUSH IN FORCE: 45 NEWTONS (10 LBS) MAX IN EACH APPLICABLE OVAL HOLE SIZE AND A PLATE THICKNESS OF 1.8mm.
2. FIR TREE PULL OUT FORCE: 110 NEWTONS (25 LBS) MIN IN EACH APPLICABLE OVAL HOLE SIZE AND A PLATE THICKNESS OF 1.8mm.
3. SHEET METAL THICKNESS RANGE: 0.60mm - 6.75mm
4. APPLICABLE OVAL HOLE SIZES:
 - A. 6.2 X 12.2mm
 - B. 6.5 X 12.5mm
 - C. 6.5 X 13.0mm
 - D. 7.0 X 12.0mm
5. FITS INTO USCAR CLIP SLOT SPECIFICATION EWCAP-005-11 (NOT A TEST SPEC.)
6. MAXIMUM PERCENT REGRIND PERMISSIBLE: 25%
7. MAX ALLOWABLE FLASH OR MISMATCH TO BE 0.25mm

Material UROPPSF72T6 COLOR: SILVER	Units	millimeters	The copyright of this drawing is reserved by HellermannTyton. It is issued on condition that it is not reproduced, copied or disclosed to a third party, either wholly or in part, without the consent of HellermannTyton.	Drawn	CJR	1/21/16	Article/Type-No	CCOVALPPS/ 151-01538	Scale	2:1	
	Tolerance defined on each dimension	Approved		KVH	1/22/16	Title	OVAL HOLE CONNECTOR CLIP		Project Number	15-0879	
		<p>North America Email: corp@htamericas.com Web: www.hellermann.tyton.com</p>			Drawing-No	PRODUCTION : Phase		Format	AH		
					15-0879-001-CSU			Sheet	1/1		