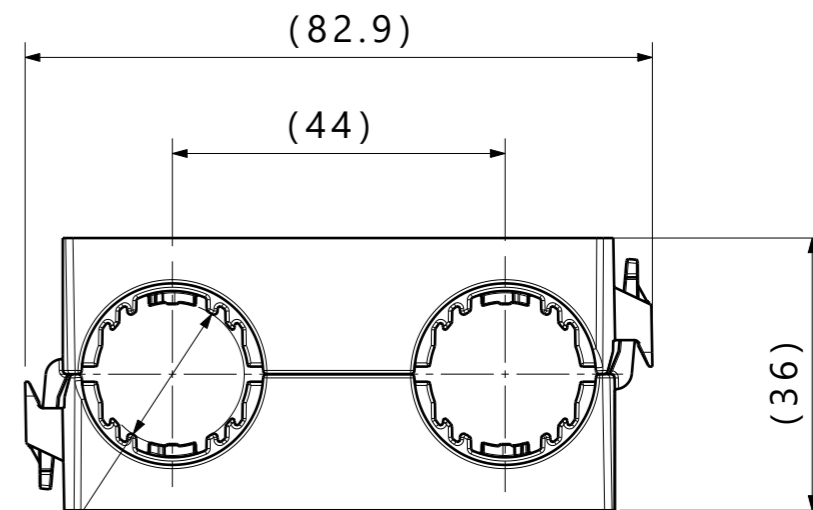


Assembled example isometric view

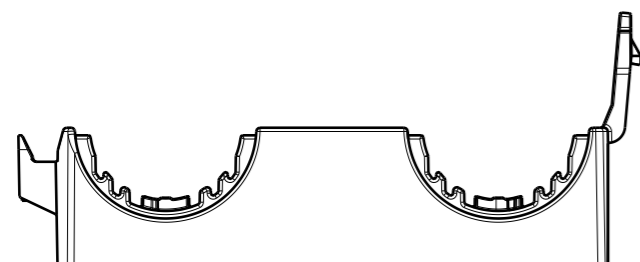


Assembled example front view

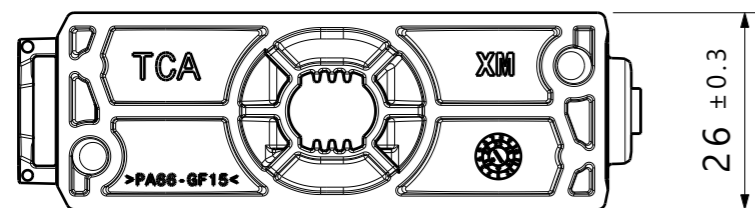
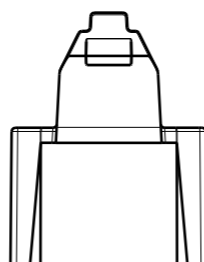
Notes:

1. Material: See chart
2. Material color: See chart
3. Maximum percent regrind permissible: 0%
4. Max allowable flash to be: 0.50mm
5. Max allowable mismatch to be: 0.1mm
6. Threaded stud length to be at least: 40mm
7. Applicable stud size:

A. M8 x 1.25 Threaded



Delivery condition



Global Part Description	Housing		
	Drawing	Material	Color
HDC19X2BASE-PA66GF15/TPE-BK	23-0182-005-CSU	PA66GF15	Black

Revision Level			Revision Record	
Drawing	State	Part	ECN 310621	
00.2	Design Release			
Changed	Date (YYYY/MM/DD)			
Rohde	2023/12/13			
Approved	Date (YYYY/MM/DD)			
Van Hulst	2023/12/13			

The copyright of this drawing is reserved by HellermannTyton.	Drawn	Date (YYYY/MM/DD)
	Rohde	2023/12/13
	Approved	Date (YYYY/MM/DD)
	Van Hulst	2023/12/13

Units: **mm**
HellermannTyton
www.HellermannTyton.com

Title	Dual clamp with 19mm hose cover	Scale	1:1
		Global Project Number	23-0182
Drawing-No	23-0182-105-CSU	Format	A3
		Sheet	1 / 1