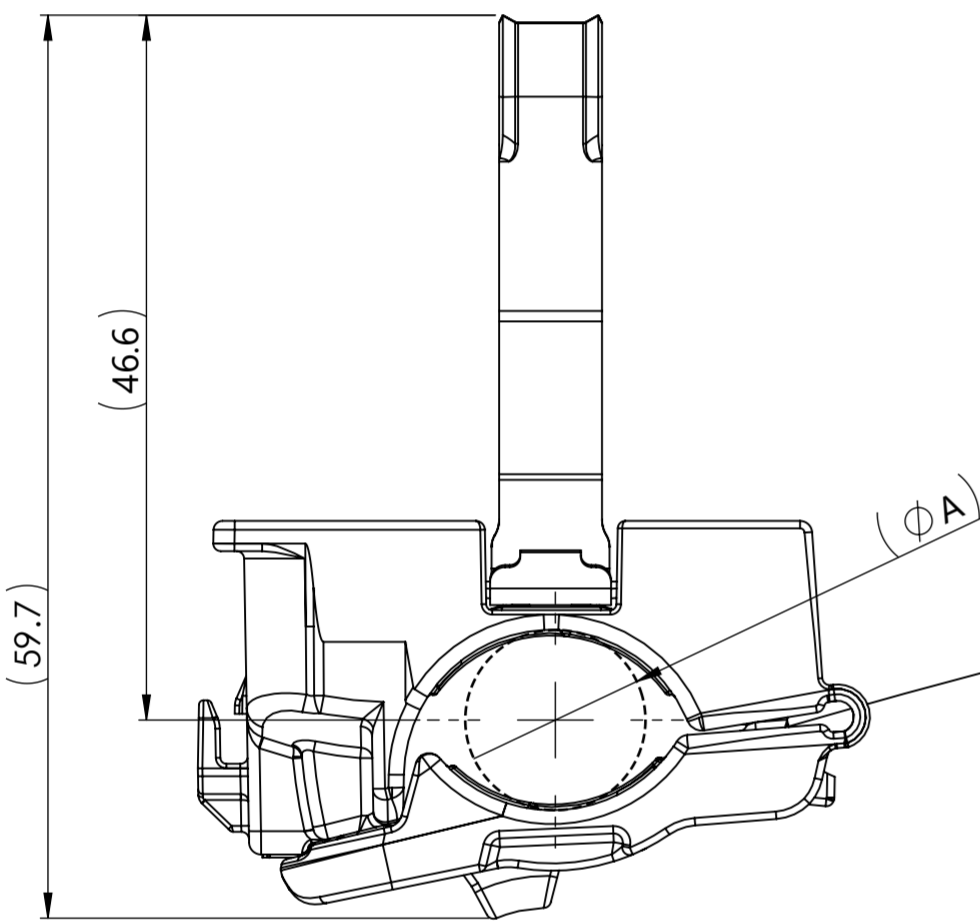
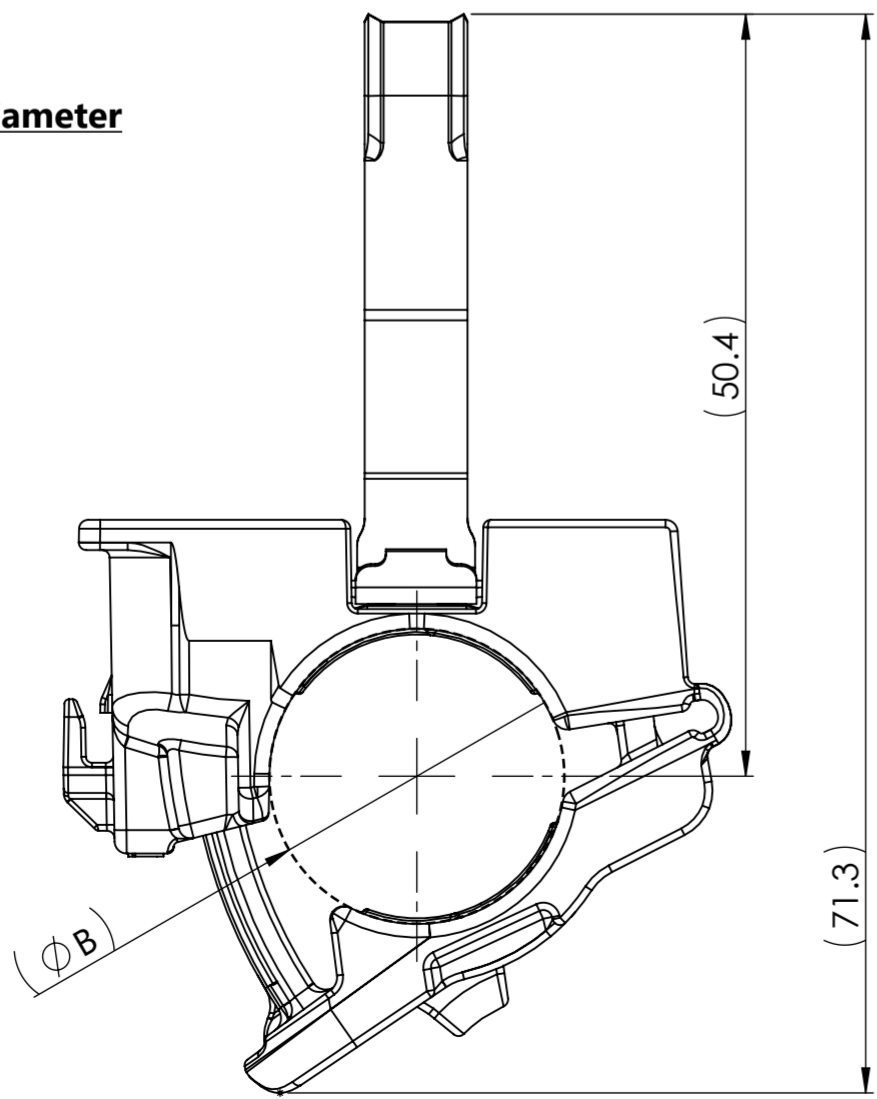
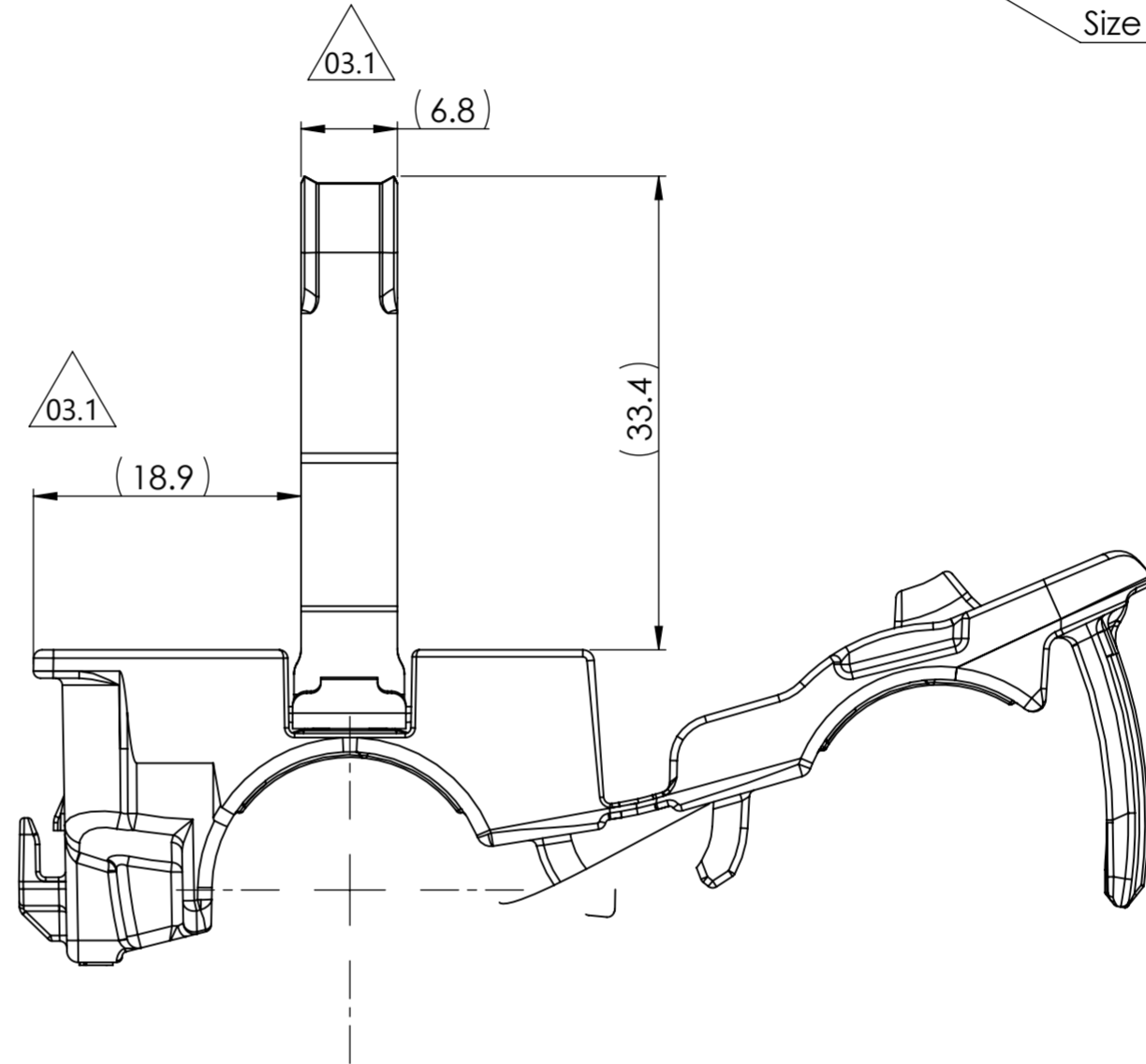
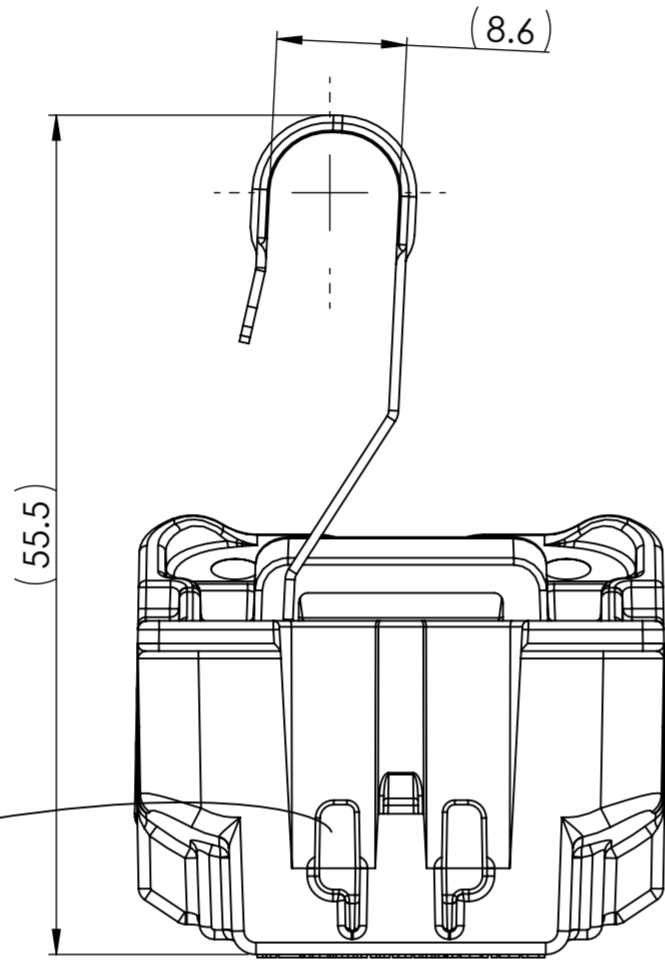


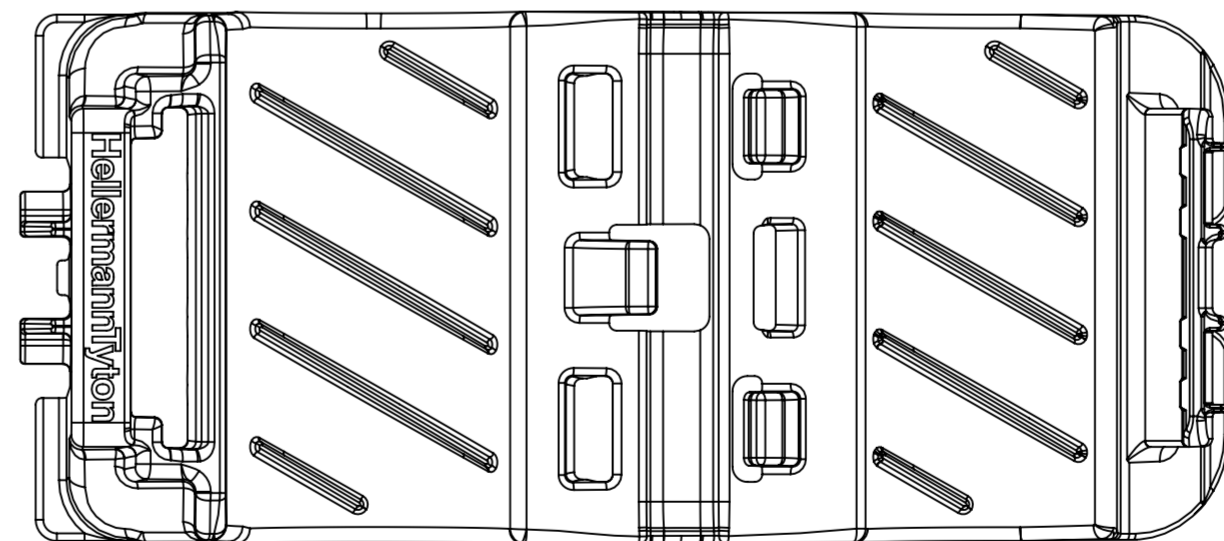
Size Identifier



Minimum Bundle Diameter



Maximum Bundle Diameter



Initial Mold Validation:
 Dry as molded with ≤ 0.5% moisture content:
 ITS-0003 Ratchet Clamp Solid Mandrel Test:
 Exceeded 89 N (20 lbf) minimum at a nominal bundle diameter of 15.88 mm [0.625 in]

03.1

Bundle Types	A Minimum Diameter (Reference)	B Maximum Diameter (Reference)
Soft	12.7	19.5
Hard	11.9	18.7

Global Part Description	IRCB CLAMP			RCSTPNEXTT Connector Clip		
	Drawing	Material	Color	Type Number	Material	Color
IRCBNEXTT-PA66HIRHSUV/SS304-BK	16-1640-002-CSU	PA66HIRHSUV	BLACK	RCSTPNEXTT	Stainless Steel	Silver

Revision level		Revision Record		Drawn		Date (YYYY/MM/DD)		Title	
Drawing	State	Part	ECN 017065	Toll	2022/04/20	IRCBNEXTT		Scale 2:1	
03.1	Design Release	-		Approved	2022/07/20	Inline Ratchet P-Clamp, B-Size, M8 Solar Attachment		Global Project Number 21-0344	
Changed	Date (YYYY/MM/DD)			Vaughn	2022/04/20	Drawing-No		Format A2	
Toll	2022/07/20			Units		21-0344-102-CSU		Sheet 1/1	
Approved	Date (YYYY/MM/DD)			mm		HellermannTyton			
Spangler	2022/07/20			www.HellermannTyton.com					