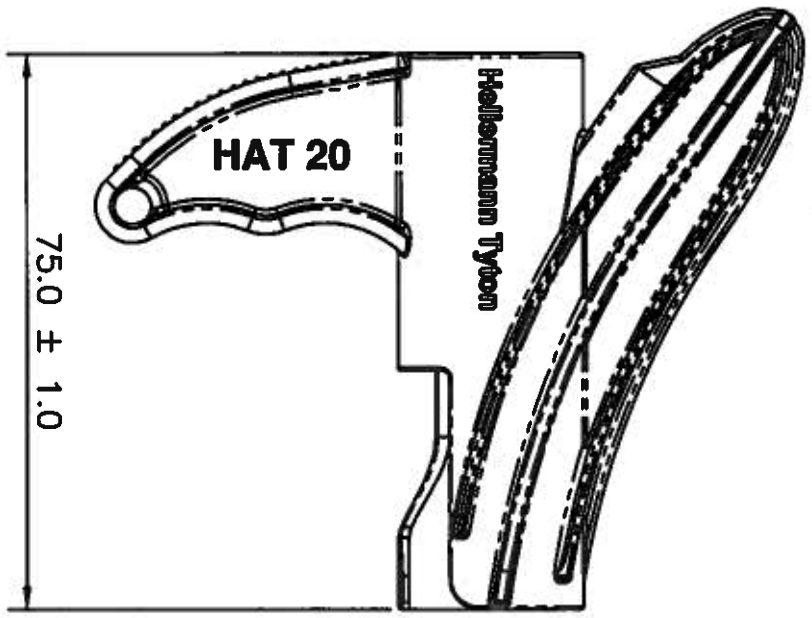
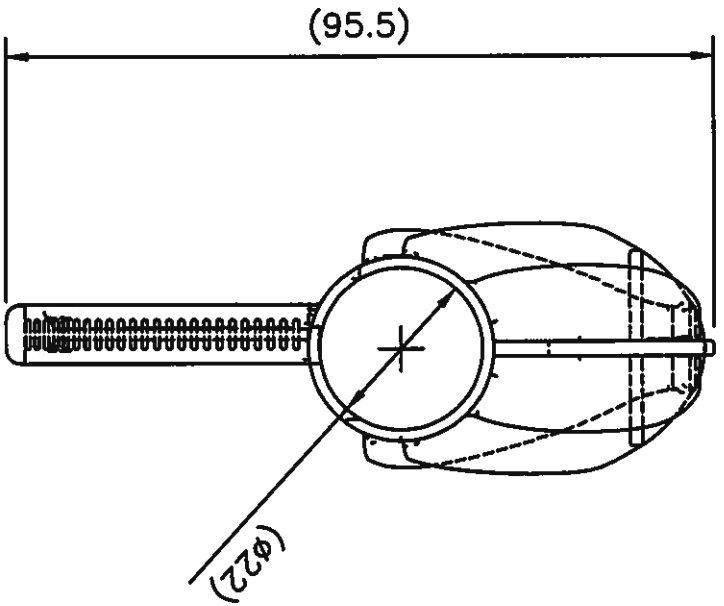


Revision level		Revision Record		Changed	Date	Approved	Date
Part	Drawing						
	01	($\phi 22$) READ $\phi 22.0 \pm 0.3$		ALOMAX	02/03/05	S.BENTICK	02/03/05



Material P.A.66
 Dimension without tolerances details to:
 DIN 16901

Tolerances
 PERFORMANCE SPECIFICATION

ACAD

The copyright of this drawing is reserved by HELLERMANNTYTON.
 It is issued on condition that it is not reproduced, copied or disclosed to a third party, either wholly or in part, without the consent of HELLERMANNTYTON.

Drawn	ALOMAX	22/07/04
Approved	S.BENTICK	22/07/04

HellermannTyton
 Network Products Group
 Shorston Green Business Park,
 Manchester M22 4TY.
 Tel: 0161 945 4181
 Fax: 0161 947 2228

Scale	1:1
Title	HAT 20
Drawing-No	CD1414-01
Format	A4
	Sheet 1 of 1