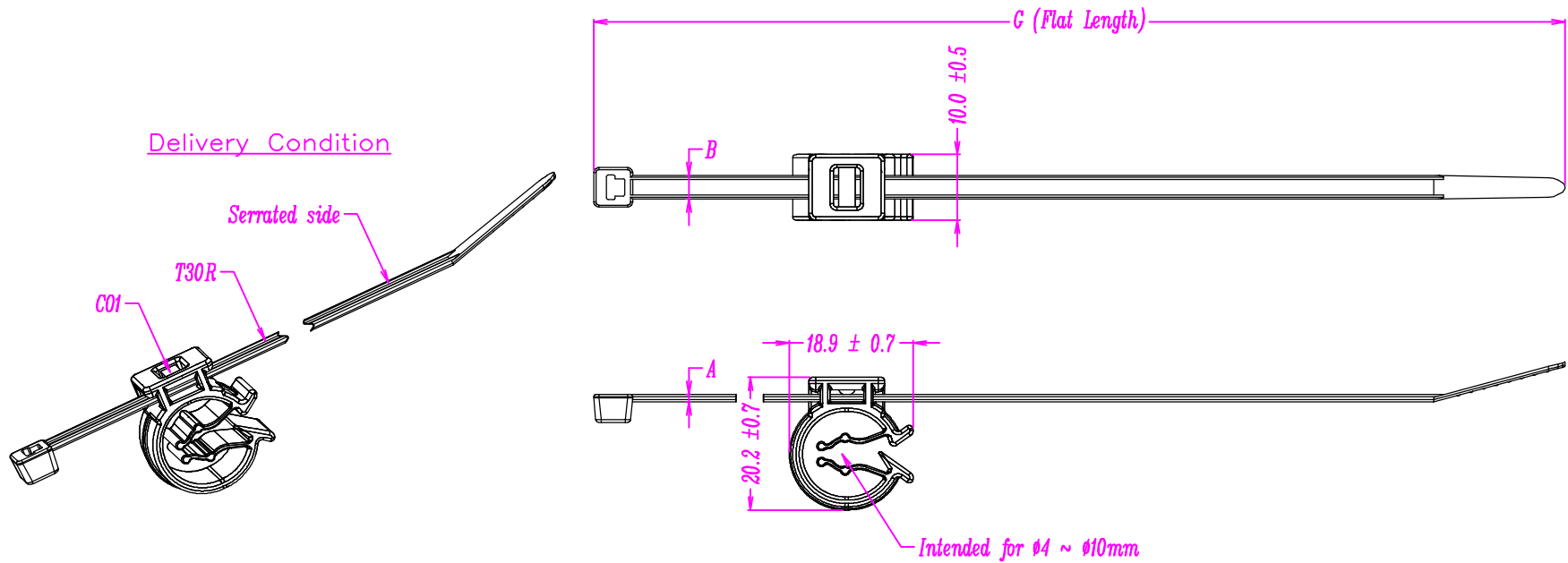


Revision Level		Revision Record	Changed	Date	Approval	Date
Part	Drawing					
	△	Updated pictogramme and drawing template.	SIMON NG	25-Feb-14	Edward Tan	25-Feb-14
	△	Added HT Global project Number.	SIMON NG	25-Feb-14	Edward Tan	25-Feb-14
	△	Added cable tie dimensions chart	SIMON NG	25-Feb-14	Edward Tan	25-Feb-14



△	A	B	G
	1.1 ± 0.2	3.5 ± 0.2	150.0 ± 5.0

Bundle Ø Max. 4 ~ 31mm
Material P.A. 66
Tensile strength 135N (Minimum)
PERFORMANCE SPECIFICATION

ACAD		Drawn MANDY ONG 14 Nov 2011	Scale: 1 : 1	Reference: 14.1770
The copyright of this drawing is reserved by HELLERMANN TYTON. It is issued on condition that it is not reproduced, copied or disclosed to a third party, either wholly or in part, without the consent of HELLERMANN TYTON.		Approved. EDWARD TAN 14 Nov 2011	Title T30ROC1A	
HellermannTyton 545, Yishun Industrial Park A Yishun Avenue 7 Singapore 768741 Tel: (+65) 6852 8585 Fax: (+65) 6756 6798		Drawing-No [SG11025-01] 04-0830-002-CSH △		Format A4 Sheet 1 of 1

Uncontrolled Document