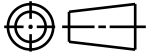
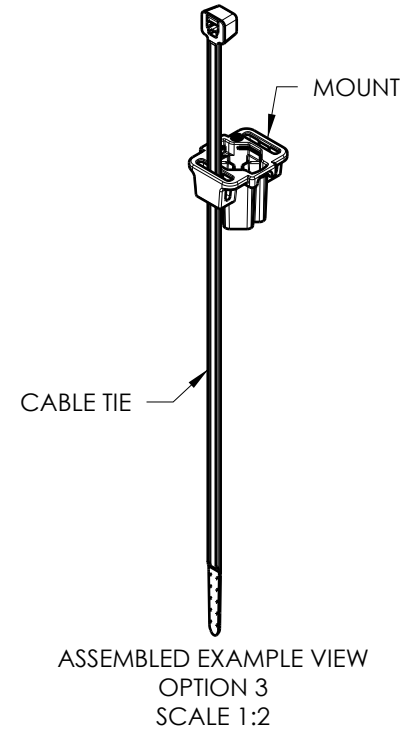
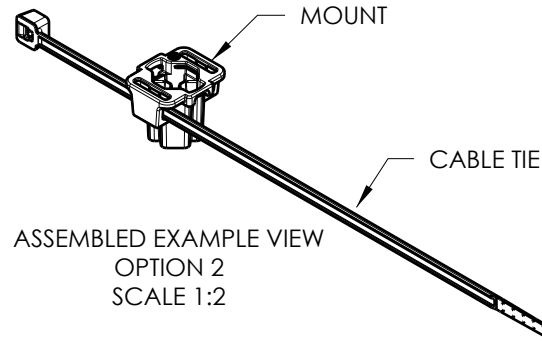
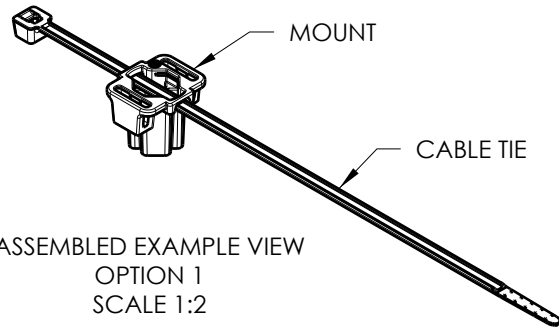


CATIA V5

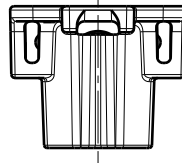
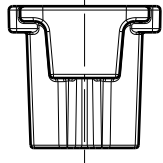
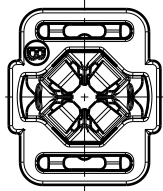


Revision Level			Revision Record	Changed	Date	Approved	Date
Drawing	State	Part					
04.1	Design Release	B	SEE ECN# 013955	TAT	7/21/17	EJH	7/21/17



MOUNT
DELIVERY CONDITION: UNASSEMBLED SET

CABLE TIE
DELIVERY CONDITION: UNASSEMBLED SET



04.1

UNS NUMBER	TYPE	BUNDLE RANGE	CABLE TIES			MOUNT		
			DRAWING	MATERIAL	COLOR	DRAWING	MATERIAL	COLOR
156-02232	PAT100LSBS5-6U2SET	4 TO 50	14-1051-001-CSU	PAEK	BEIGE	14-0970-041-CSU	PPSFX72T6	SILVER

Material
SEE CHART

Units **millimeters**

Tolerance defined on each dimension

The copyright of this drawing is reserved by HellermannTyton. It is issued on condition that it is not reproduced, copied or disclosed to a third party, either wholly or in part, without the consent of HellermannTyton.

Drawn KVH 2/4/16
Approved CJR 2/4/16
HellermannTyton
North America
Email: corp@htamericas.com
Web: www.hellermann.tyton.com

Article/Type-No SEE CHART
Title M5, T5 AND M6 THREAD STUD MOUNT WITH T50R CABLE TIE
Drawing-No PRODUCTION : Phase
14-0970-131-CSU

Scale 1:1
Project Number 14-0970
Format AH
Sheet 1/1