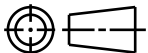
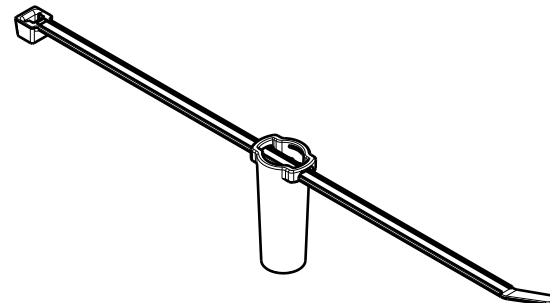
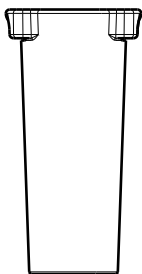


CATIA V5



Revision Level			Revision Record	Changed	Date	Approved	Date
Drawing	State	Part					
00.0	Design Release	-	SEE ECN# 014646	HDC	01/14/19	NHK	01/14/19



ASSEMBLED VIEW
FOR REFERENCE ONLY
SCALE 1:2

SBXL6U
DELIVERY CONDITION: UNASSEMBLED SET



T50R
DELIVERY CONDITION: UNASSEMBLED SET

GLOBAL PART DESCRIPTION	BUNDLE RANGE	CABLE TIES			MOUNT		
		DRAWING	MATERIAL	COLOR	DRAWING	MATERIAL	COLOR
T50RSBXL6U-SET-PA66HIRHSUV/POM-BK	4 TO 50	CT2050007CST	PA66HIRHSUV	BLACK	14-0972-001-CSU	CELCON M90	BLACK

Material SEE CHART COLOR: SEE CHART	Units millimeters	The copyright of this drawing is reserved by HellermannTyton. It is issued on condition that it is not reproduced, copied or disclosed to a third party, either wholly or in part, without the consent of HellermannTyton.	Drawn HDC 11/09/18	Article/Type-No T50RSBXL6USET		Scale 1:1	
	Tolerance defined on each dimension		Approved NHK 11/09/18	Title 6mm STUD MOUNT 35mm LONG w/ T50R		Project Number 14-0972	
					Drawing-No 14-0972-101-CSU		Format AH
					PRODUCTION : Phase		Sheet 1/1
			North America Email: corp@htamericas.com Web: www.hellermann.tyton.com				