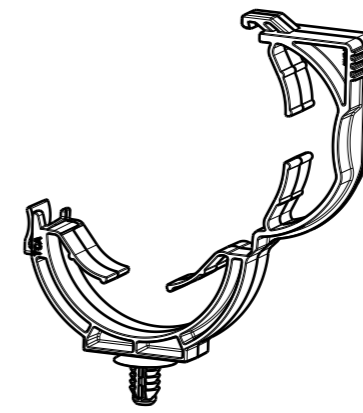


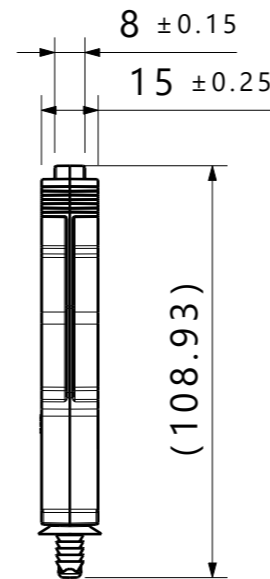
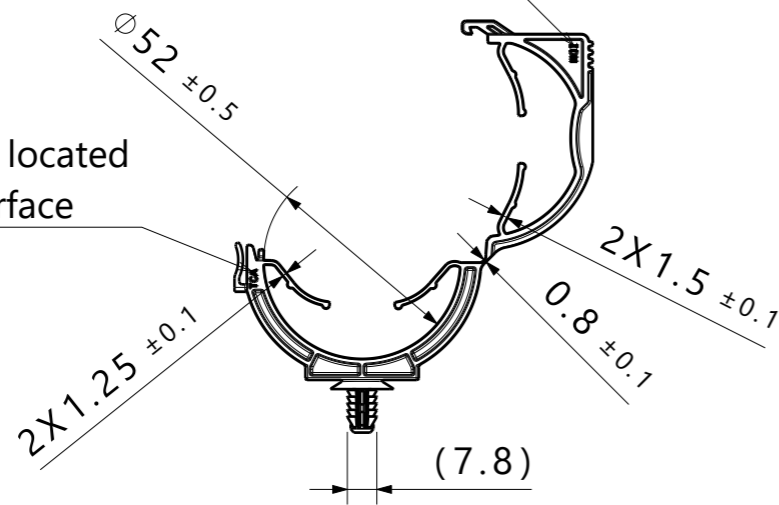
Isometric view



Isometric view
Closed position

Cavity ID and country of origin
to be located on this surface

TCA to be located
on this surface



Reference:

Performance requirements at dry as molded:

1. Fir tree push in force: 45 newtons (10 lbf) max in the applicable nominal hole size and a plate thickness of 1.8mm.
2. Fir tree pull out force: 110 newtons (25 lbf) min in the applicable nominal hole size and a plate thickness of 1.8mm.

Notes:

1. Material: See chart
2. Material color: See chart
3. Maximum percent regrind permissible: 25%
4. Max allowable flash to be: 0.5mm
5. Max allowable mismatch to be: 0.1mm
6. Sheet metal thickness range: 0.60mm - 6.00mm
7. Applicable hole size:
 - A. 6.5mm +0.5/- 0.4
 - B. 6.35mm +/-0.25 Hex

Global Part Description	Material	Color
LOC42-48FT6.5-PA66HIRHSUV-BK	PA66HIRHSUV	Black

Revision Level		
Drawing	State	Part
00.0	Design Release	-
Changed	Date (YYYY/MM/DD)	
Fish	2023/11/2	
Approved	Date (YYYY/MM/DD)	
VanHulst	2023/11/2	

Revision Record	
ECN 310457	



All drawing revisions are stored in CAD PDM database

The copyright of this drawing is reserved by HellermannTyton.

Units
mm

Drawn	Date (YYYY/MM/DD)
Fish	2023/10/31
Approved	Date (YYYY/MM/DD)
VanHulst	2023/11/2

HellermannTyton
www.HellermannTyton.com

Title
Locking pipe and tube clip for 42mm to 48mm with 6.5mm fir tree

Drawing-No
23-2117-001-CSU

Scale	1:2
Global Project Number	23-2117
Format	A3
Sheet	1 / 1