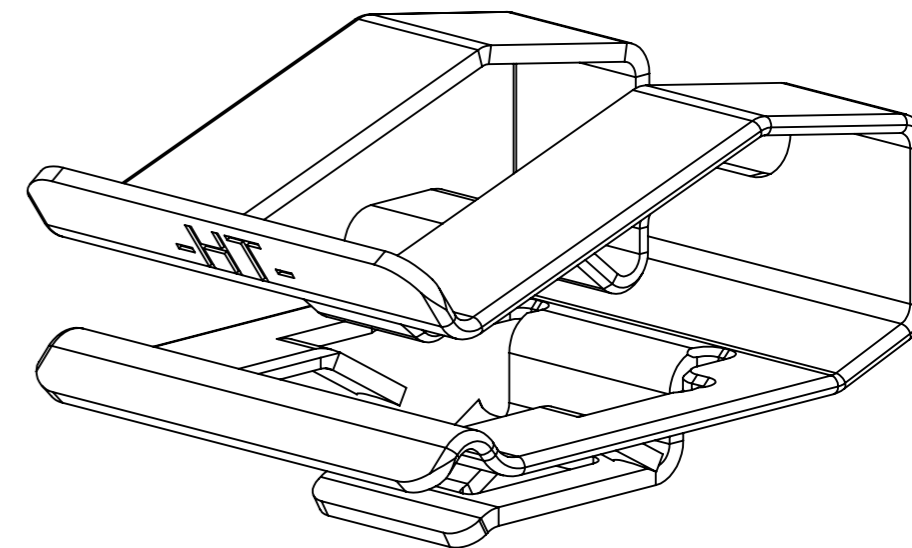
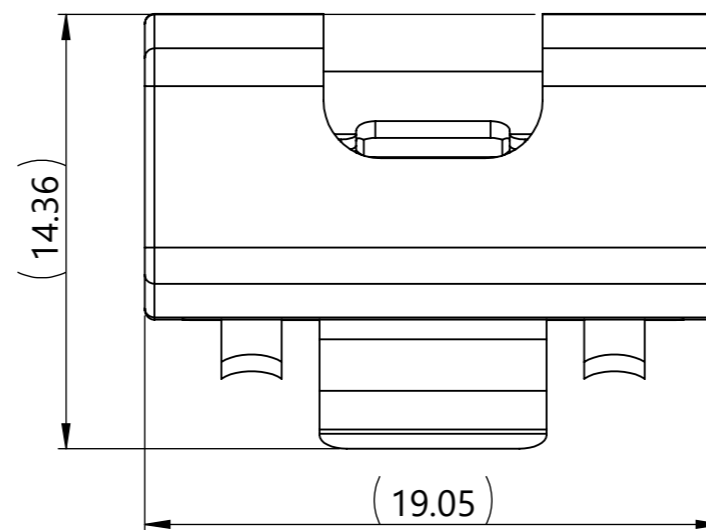
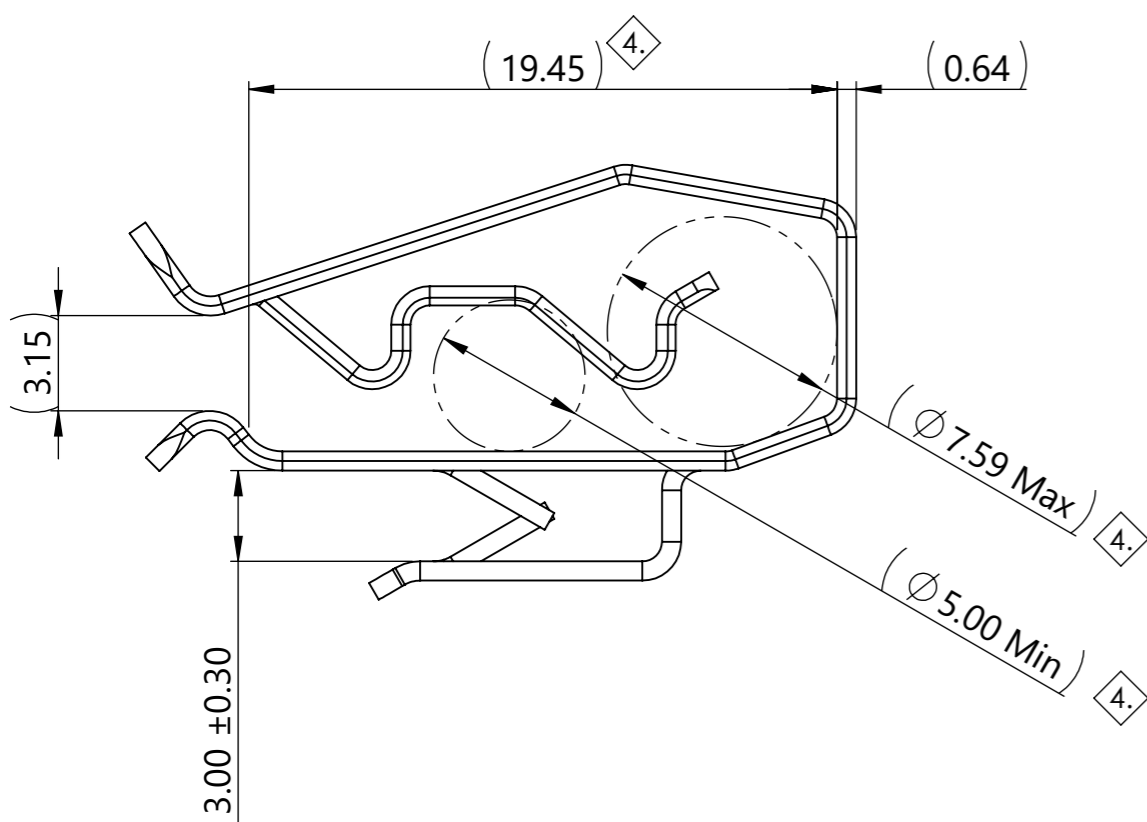


Assembly views
For reference only
SCALE 2:1



Notes

1. Panel thickness range: 1.00mm-3.00mm (.039in - 0.118in)
2. Cable diameter range: 5.00mm-7.59mm (.197in - .299in)
3. Inside min panel depth: 17.60mm (.693in)
4. For bundle size reference only
5. Material: 304 3/4 hard stainless steel round edge per ASTM A666

Revision level		
Drawing	State	Part
00.0	Design Release	-
Changed	Date (YYYY/MM/DD)	
Uhler	06/20/2023	
Approved	Date (YYYY/MM/DD)	
Mann	06/20/2023	

Revision Record	
ECN 310031	

All drawing revision are stored in CAD PDM database

The copyright of this drawing is reserved by HellermannTyton.

Drawn	Date (YYYY/MM/DD)
Uhler	06/20/2023
Approved	Date (YYYY/MM/DD)
Mann	06/20/2023

Units
mm
HellermannTyton
www.HellermannTyton.com

Title	Metal Solar Clip Reverse Barb	Scale	4:1
Global Project Number	23-0094	Format	A3
Drawing-No	23-0094-001-CSU	Sheet	1/1