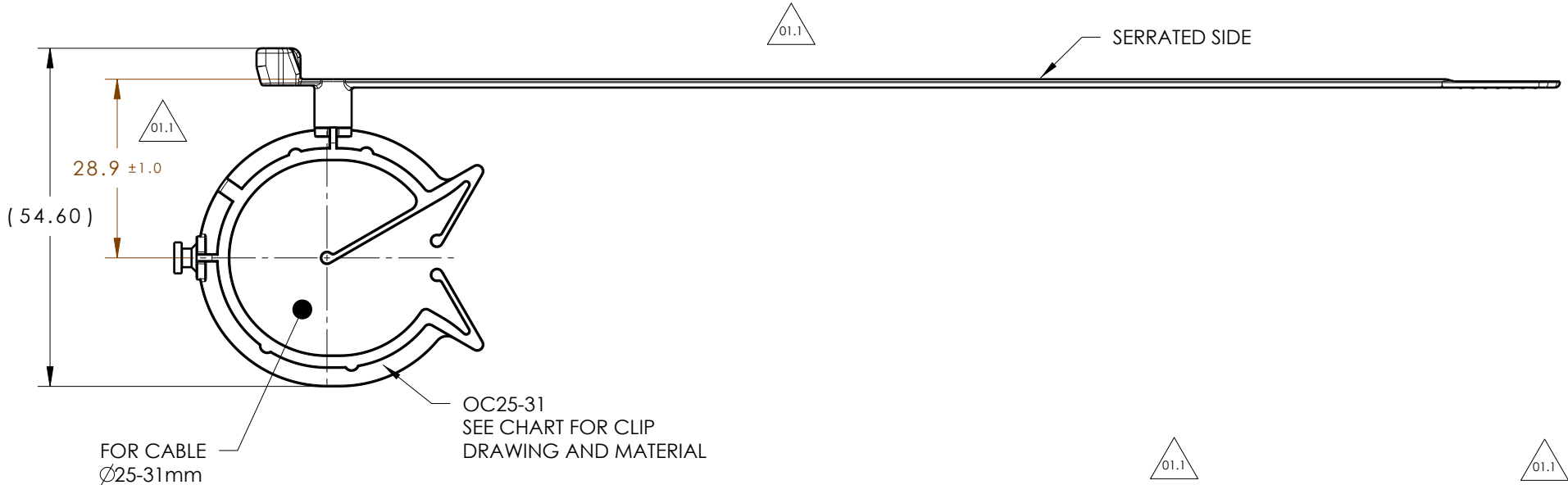
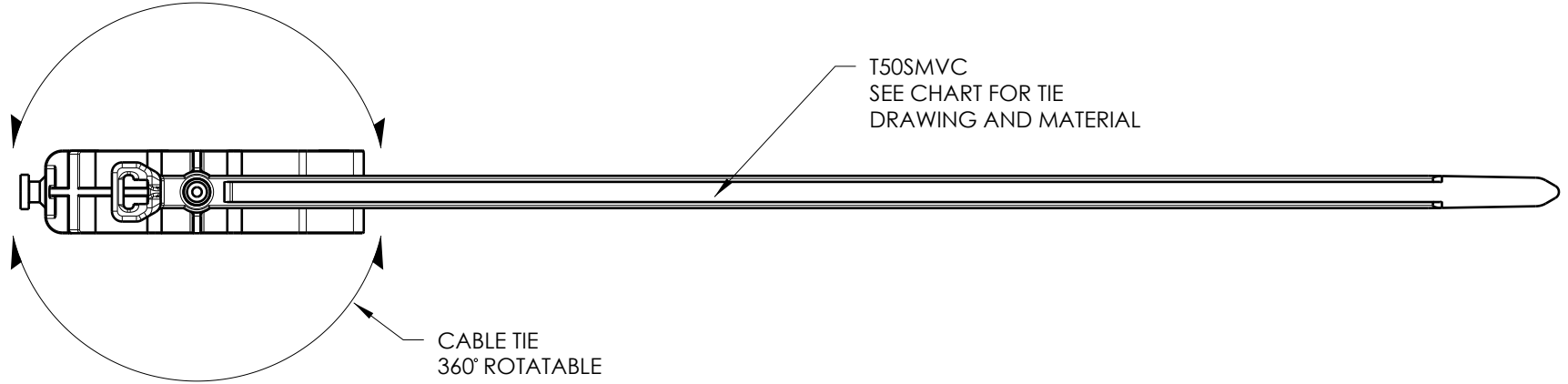


Revision Level			Revision Record	Changed	Date	Approved	Date
Drawing	State	Part					
01.1	Design Release	-	SEE ECN# 014720	CTF	10/24/2018	EJH	10/24/2018



GLOBAL PART DESCRIPTION	BUNDLE RANGE	CABLE TIES		MOUNT	
		DRAWING	MATERIAL	DRAWING	MATERIAL
T50SMVCOC25-31-PA66HIRHS/PA66HIRHSUV-BK	2 to 50	14-0606-012-CSU	PA66HIRHSUV	06-0209-001-CSG-HTIC	PA66HIRHS

Material
SEE CHART
COLOR: BLACK

Units millimeters
Tolerance defined on each dimension

The copyright of this drawing is reserved by HellermannTyton. It is issued on condition that it is not reproduced, copied or disclosed to a third party, either wholly or in part, without the consent of HellermannTyton.

Drawn NHK 03/06/18
Approved EJH 03/06/18
HellermannTyton
North America
Email: corp@htamericas.com
Web: www.hellermann.tyton.com

Article/Type-No T50SMVCOC25-31
Title T50SMVCOC25-31 T50SMVC CABLE TIE WITH OMEGA CLIP 25-31
Drawing-No PRODUCTION : Phase
06-0209-014-CSU

Scale 1:1
Project Number 06-0209
Format AH
Sheet 1/1