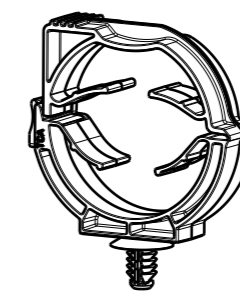
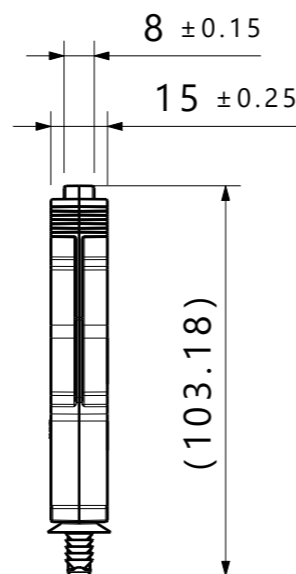


Isometric view



Isometric view  
Closed position



Reference:

Performance requirements at dry as molded:

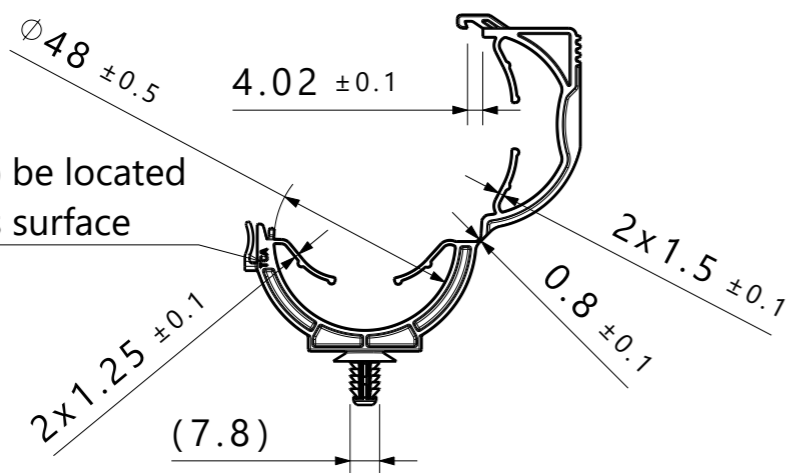
1. Fir tree push in force: 45 newtons (10 lbf) max in the applicable nominal hole size and a plate thickness of 1.8mm.
2. Fir tree pull out force: 110 newtons (25 lbf) min in the applicable nominal hole size and a plate thickness of 1.8mm.

Notes:

1. Material: See chart
2. Material color: See chart
3. Maximum percent regrind permissible: 25%
4. Max allowable flash to be: 0.5mm
5. Max allowable mismatch to be: 0.1mm
6. Sheet metal thickness range: 0.60mm - 6.00mm
7. Applicable hole size:
  - A. 6.5mm +0.5/- 0.4
  - B. 6.35mm +/-0.25 Hex



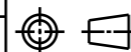
TCA to be located on this surface



Global Part Description	Material	Color
LOC38-43FT6.5-PA66HIRHSUV-BK	PA66HIRHSUV	Black

Revision Level		
Drawing	State	Part
03.1	Design Release	-
Changed	Date (YYYY/MM/DD)	
Fish	2023/03/15	
Approved	Date (YYYY/MM/DD)	
VanHulst	2023/03/15	

Revision Record	
ECN 017429	



All drawing revisions are stored in CAD PDM database

The copyright of this drawing is reserved by HellermannTyton.

Drawn	Date (YYYY/MM/DD)
Fish	2021/06/30
Approved	Date (YYYY/MM/DD)
VanHulst	2021/09/08

Units  
mm  
**HellermannTyton**  
www.HellermannTyton.com

Title	Scale
Locking omega clip for 38 to 43mm bundles with 6.5mm fir tree	1:2
Global Project Number	21-0294
Format	A3
Sheet	1 / 1

Drawing-No  
**21-0294-001-CSU**