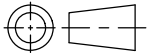
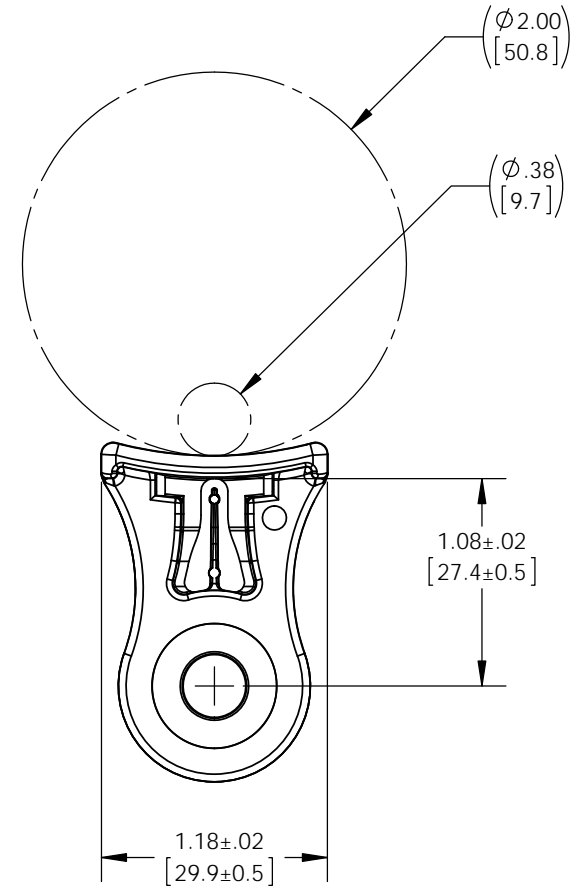
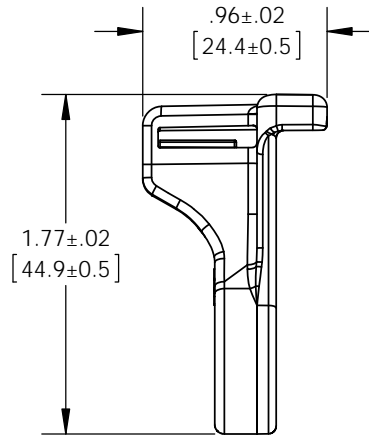
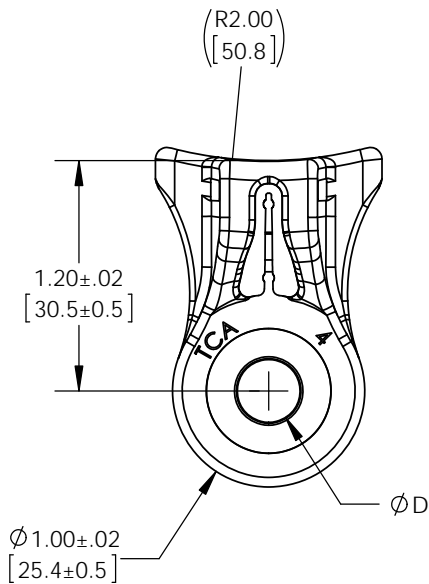
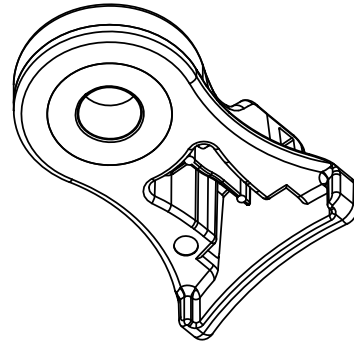
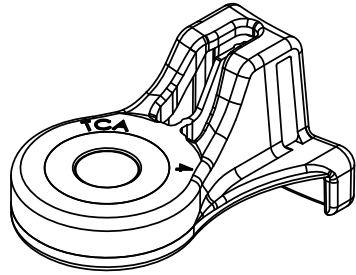


SW2015



Revision level			Revision Record	Changed	Date	Approved	Date
Drawing	State	Part					
00.0	Design Release	-	SEE ECN# 014099	CTF	10/04/17	KAC	10/04/17



FEATURES:

- METAL BUSHING WITHSTANDS 114 lb-ft (155 N-m) OF TORQUE APPLIED TO FASTENER
- 200 lb LOAD ASSEMBLY STRENGTH PERPENDICULAR TO BOLT AXIS

TYPE NAME	Ø D ±.010	BOLT SIZE
SAM320B-ROHS	.327 [8.31mm]	5/16" & 8mm
SAM400B-ROHS	.405 [10.29mm]	3/8" & 10mm
SAM500B-ROHS	.510 [12.95mm]	1/2" & 12mm

Material  
**PA66HIRHSUV**  
**COLOR: BLACK**  
**METAL BUSHING, ROHS**  
**COMPLIANT**

Units: **inches**  
 Dimension without tolerances details to:  
 .XXXX = ±.0005  
 .XXX = ±.005  
 .XX = ±.01  
 .X = ±.03  
 None = ±.06  
 < = ±0.5°  
 Dimension Formatted in [mm]

The copyright of this drawing is reserved by HellermannTyton. It is issued on condition that it is not reproduced, copied, or disclosed to a third party, either wholly or in part, without the consent of HellermannTyton.

Drawn	CTF	10/04/17
Approved	KAC	10/04/17
<b>HellermannTyton</b>		
North America Email: corp@htamericas.com Web: www.hellermann.tyton.com		

Article/Type-No	SEE TABLE	Scale	1:1
Title	AXIAL MOUNT WITH METAL BUSHING - ROHS COMPLIANT	Project Number	PRP 17-2117
Drawing-No	PRODUCTION : Phase	Format	AH
<b>17-2117-002-CSU</b>		Sheet	1/1