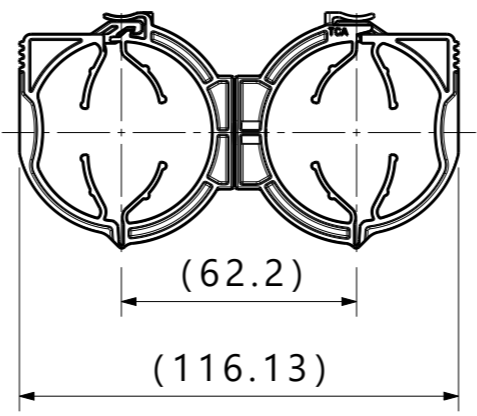
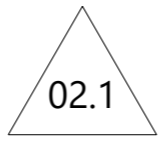
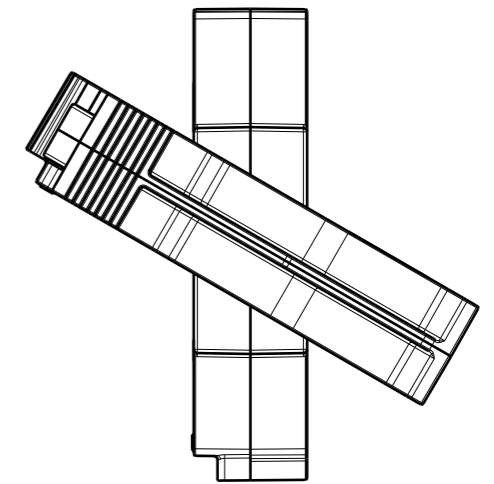
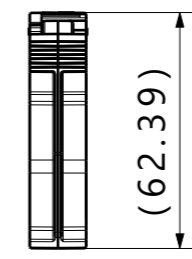


Isometric view closed



Example closed view




Isometric view rotated
Can be rotated to any angle

Global Part Description	Bundle Range	Clip 1			Clip 2		
		Drawing	Material	Color	Drawing	Material	Color
LOC38-43F38-43M-PA66HIRHSUV-BK	38 to 43mm	21-0296-001-CSU	PA66HIRHSUV	Black	21-0295-001-CSU	PA66HIRHSUV	Black

Revision Level		
Drawing	State	Part
02.1	Design Release	-
Changed	Date (YYYY/MM/DD)	
Fish	2023/03/16	
Approved	Date (YYYY/MM/DD)	
VanHulst	2023/03/16	

Revision Record	
ECN 017429	


 All drawing revisions are stored in CAD PDM database

The copyright of this drawing is reserved by HellermannTyton.
 Units: **mm**

Drawn: Fish, Date: 2021/07/01
 Approved: VanHulst, Date: 2021/09/08
HellermannTyton
www.HellermannTyton.com

Title: Two locking omega clips coupled together for 38 to 43mm bundles
 Drawing-No: **21-0297-001-CSU**

Scale: 1:2
 Global Project Number: 21-0297
 Format: A3
 Sheet: 1 / 1