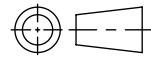
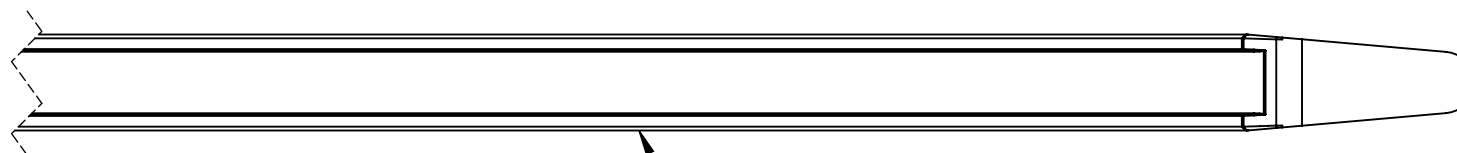
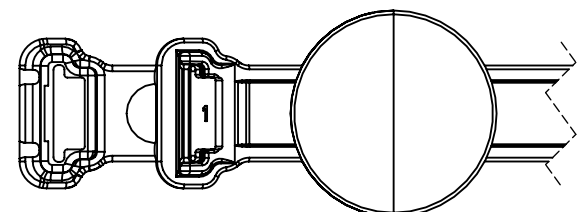
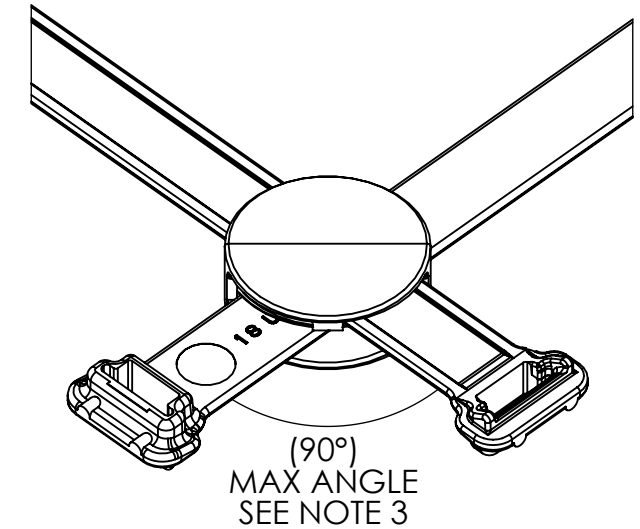
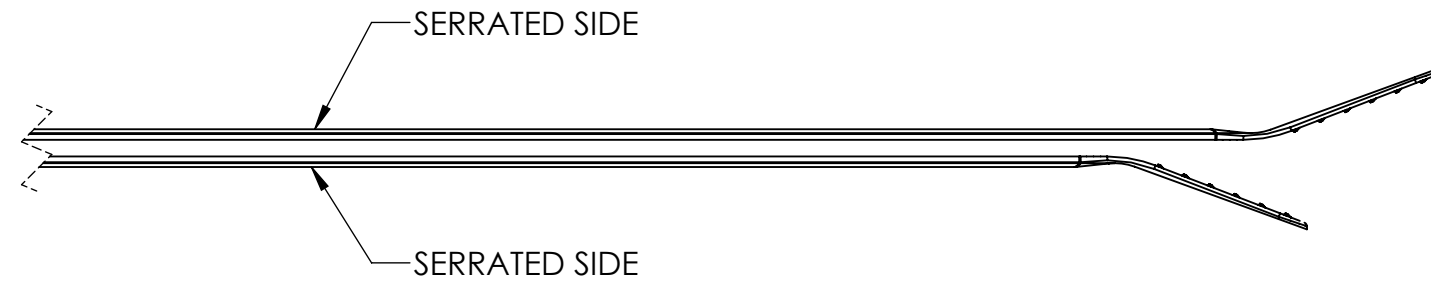
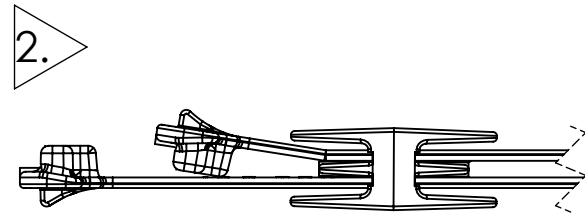


SW



Revision level			Revision Record	Changed	Date	Approved	Date
Drawing	State	Part					
04.1	Design Release	-	SEE ECN# 016095	CAS	09/02/2020	GAL	09/02/2020



COUPLER:
SEE CHART FOR
DRAWING, MATERIAL,
AND COLOR

TIE:
SEE CHART FOR
DRAWING, MATERIAL,
AND COLOR

04.1

04.1

GLOBAL PART DESCRIPTION	BUNDLE RANGE	CABLE TIE			COUPLER		
		DRAWING	MATERIAL	COLOR	DRAWING	MATERIAL	COLOR
DUALWSSASSY-PA46-BR	15mm to 51mm	CT2127004CST	PA46	BROWN	19-1754-001-CSU	PA46	BROWN

- Notes
- DELIVERY CONDITION: 2 CABLE TIES AND 1 COUPLER ASSEMBLED.
 - SEE VIEW ABOVE FOR ASSEMBLY ORIENTATION
 - CABLE TIE ANGLE NOT CONTROLLED IN ASSEMBLY

Material
SEE CHART

Units: millimeters
Dimension without tolerances details to:
.xxx = ±.013
.xx = ±.13
.x = ±.3
None = ±.8
∠ = ±0.5°
Dimension Formatted mm/[in]

The copyright of this drawing is reserved by HellermannTyton. It is issued on condition that it is not reproduced, copied, or disclosed to a third party, either wholly or in part, without the consent of HellermannTyton.

Drawn: CAS 03/25/2020
Approved: GAL 03/25/2020

HellermannTyton
North America
Email: corp@htamericas.com
Web: www.hellermann.tyton.com

Article/Type-No: DUALWSSASSY
Title: ASSEMBLY OF WIDE STRAP SWIVEL COUPLER AND T120 WIDE STRAP TIE
Drawing-No: 20-0071-001-CSU
Production : Phase

Scale: 1:1
Project Number: PRP20-0071
Format: B
Sheet: 1/1