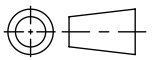
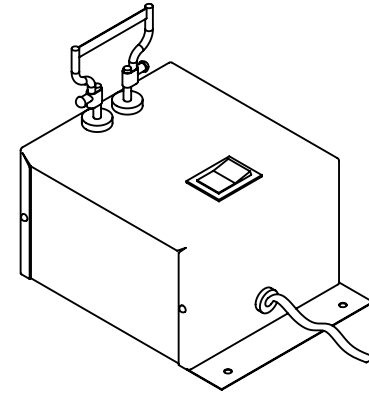
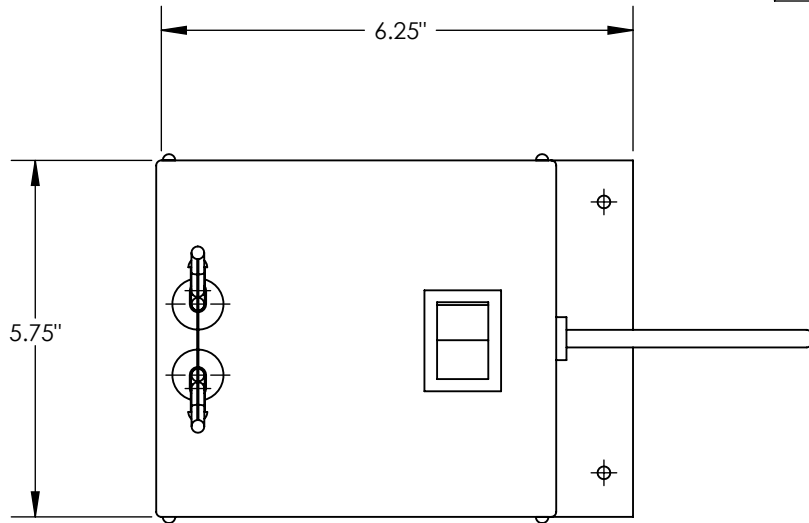


SW2015

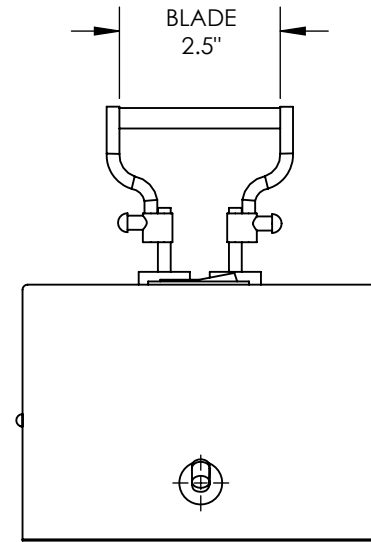
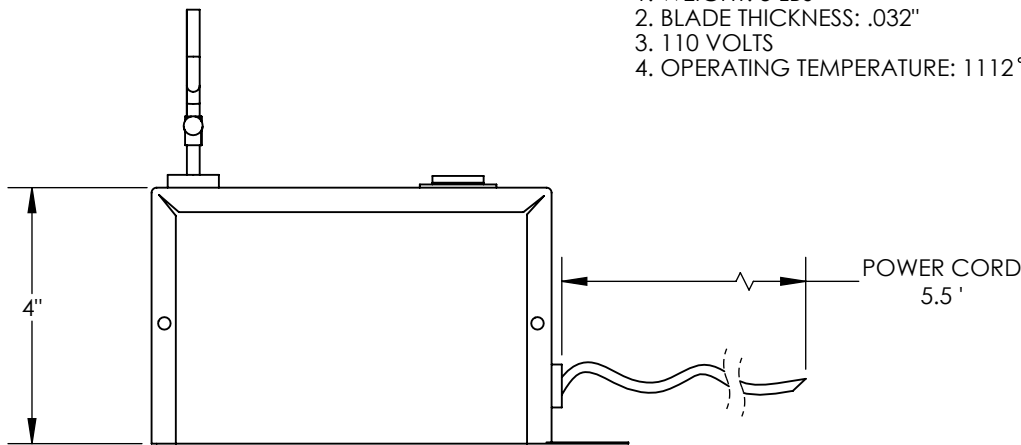


Revision level			Revision Record	Changed	Date	Approved	Date
Drawing	State	Part					
00.0	Design Release		SEE ECN# 013695	GRW	1/26/2017	KAC	1/26/2017



NOTES

1. WEIGHT: 3 LBS
2. BLADE THICKNESS: .032"
3. 110 VOLTS
4. OPERATING TEMPERATURE: 1112°F (+600°C)



Material
ASSEMBLED

Units: **inches**
Dimension without tolerances details to:
.xxxx = ±.0005
.xxx = ±.005
.xx = ±.01
.x = ±.03
None = ±.06
∠ = ±0.5°
Dimension Formatted in [mm]

The copyright of this drawing is reserved by HellermannTyton. It is issued on condition that it is not reproduced, copied, or disclosed to a third party, either wholly or in part, without the consent of HellermannTyton.

Drawn	GRW	1/26/2017
Approved	KAC	1/26/2017

HellermannTyton
North America
Email: corp@htamericas.com
Web: www.hellermann.tyton.com

Article/Type-No	BSBHK
Title	BENCH MOUNT HOT KNIFE FOR BRAIDED SLEEVING
Drawing-No	17-0423-001-CSU
Production : Phase	

Scale	
Project Number	PRP 17-0423
Format	AH
Sheet	1/1