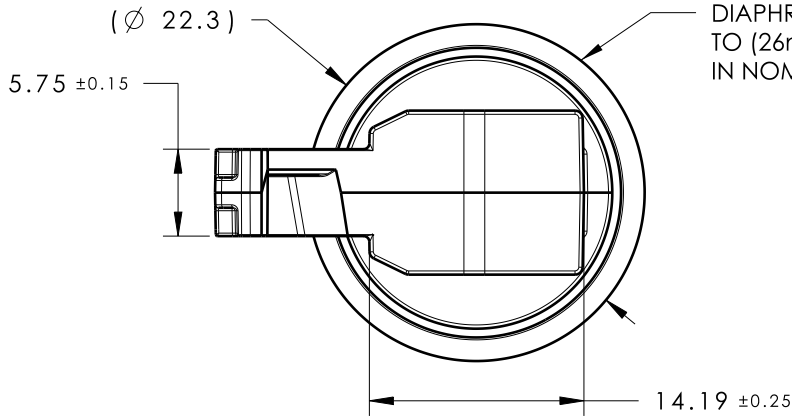
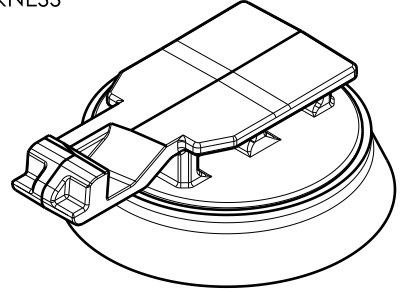


Revision Level			Revision Record	Changed	Date	Approved	Date
Drawing	State	Part					
03.1	Design Release	-	SEE ECN# 014907	EJF	2/7/19	KVH	2/7/19



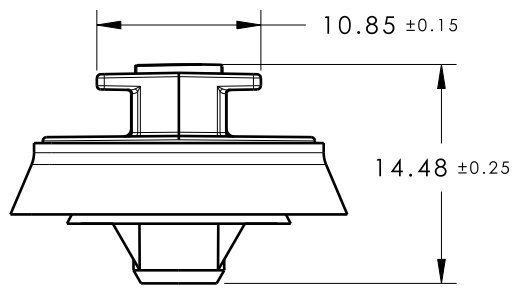
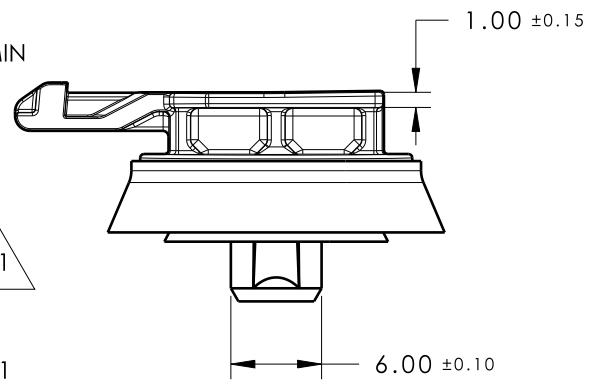
DIAPHRAGM DIAMETER EXPANDS TO (26mm) AFTER INSTALLATION IN NOMINAL PANEL THICKNESS



ISOMETRIC VIEW

REFERENCE:

- PERFORMANCE REQUIREMENTS AT DRY AS MOLDED:
1. ARROWHEAD PUSH IN FORCE: 45 NEWTONS (10 LBS) MAX IN EACH APPLICABLE HOLE SIZE AND A PLATE THICKNESS OF 0.8mm.
  2. ARROWHEAD PULL OUT FORCE: 110 NEWTONS (25 LBS) MIN IN EACH APPLICABLE HOLE SIZE AND A PLATE THICKNESS OF 0.8mm.
  3. SHEET METAL THICKNESS RANGE: 0.60mm - 1.1mm
  4. APPLICABLE HOLE SIZES:
    - A. 6.5mm +/-0.4mm
    - B. 6.35mm HEX +/-0.2mm
  5. DESIGN TO MEET STATIC & HIGH PRESSURE SPRAY SEAL REQUIREMENTS OF SAE/USCAR-44
  6. DESIGNED TO MEET PUSH ON/PULL OFF FORCES OF SAE/USCAR-2
  7. FITS INTO USCAR CLIP SLOT SPECIFICATION EWCAP-005-11 (NOT A TEST SPEC.)
  8. MAXIMUM PERCENT REGRIND PERMISSIBLE: 25% PA66 ONLY
  9. MAX ALLOWABLE MISMATCH TO BE: 0.1mm
  10. FLASH PERMISSIBLE IF PART PERFORMANCE IS NOT AFFECTED



GLOBAL PART DESCRIPTION	MATERIAL	COLOR
SRAH6.5CC-PA66HIRHSUV/TPE-BK	PA66HIRHSUV/TPE	BLACK

Material SEE NOTE COLOR: SEE NOTE	Units <b>millimeters</b>  Tolerance defined on each dimension	The copyright of this drawing is reserved by HellermannTyton. It is issued on condition that it is not reproduced, copied or disclosed to a third party, either wholly or in part, without the consent of HellermannTyton.	Drawn	EJF	2/6/17	Article/Type-No	SRAH6.5CC	Scale	2:1	
			Approved	EJH	2/6/17	Title	SEALED ROUND ARROWHEAD WITH 11mm CONNECTOR TOP	Project Number	16-0348	
			<b>HellermannTyton</b> North America Email: corp@htamericas.com Web: www.hellermann.tyton.com			Drawing-No	16-0348-031-CSU	PRODUCTION : Phase	Format	AH
								Sheet	1/1	