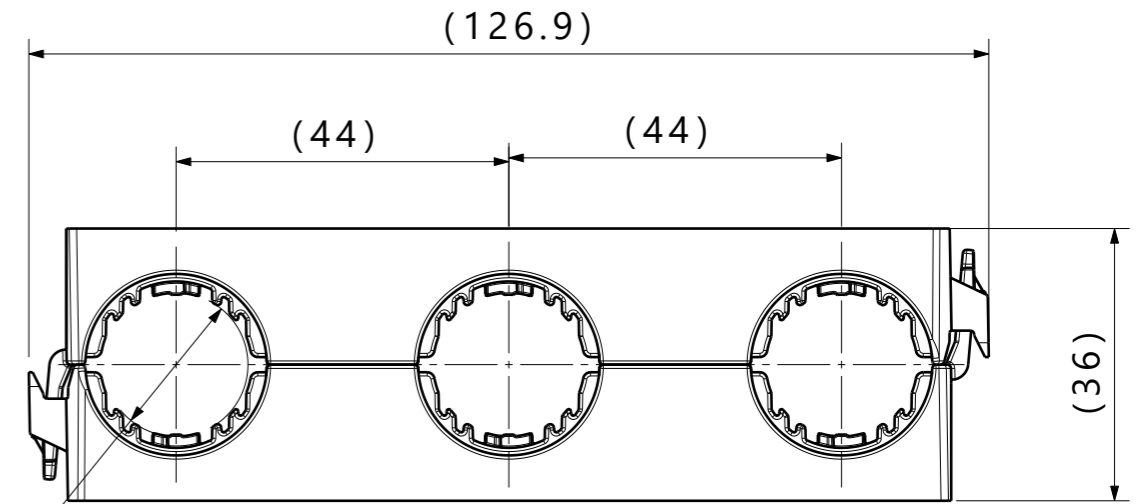
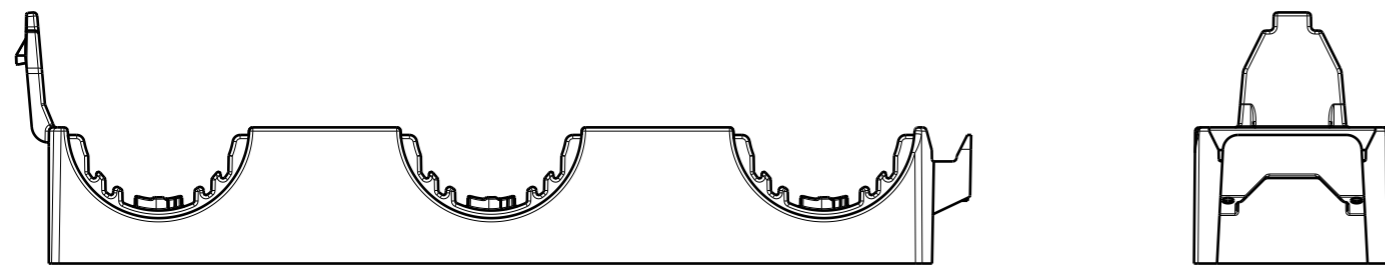


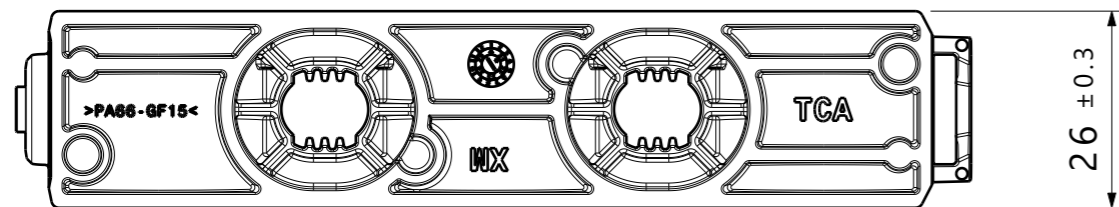
Assembled example isometric view



Assembled example front view



Delivery condition



Notes:

1. Material: See chart
2. Material color: See chart
3. Maximum percent regrind permissible: 0%
4. Max allowable flash to be: 0.50mm
5. Max allowable mismatch to be: 0.1mm
6. Threaded stud length to be at least: 40mm
7. Applicable stud size:
A. M8 x 1.25 Threaded

Global Part Description	Housing		
	Drawing	Material	Color
HDC19X3BASE-PA66GF15/TPE-BK	23-0184-005-CSU	PA66GF15	Black

Revision Level			Revision Record	
Drawing	State	Part	ECN 310621	
00.2	Design Release			
Changed	Date (YYYY/MM/DD)			
Rohde	2023/12/13			
Approved	Date (YYYY/MM/DD)			
Van Hulst	2023/12/13			

The copyright of this drawing is reserved by HellermannTyton.

All drawing revisions are stored in CAD PDM database

Units: mm

Drawn	Date (YYYY/MM/DD)
Rohde	2023/12/13
Approved	Date (YYYY/MM/DD)
Van Hulst	2023/12/13

HellermannTyton
www.HellermannTyton.com

Title		Scale
Triple clamp with 19mm hose cover		1:1
Drawing-No		Global Project Number
23-0184-105-CSU		23-0184
		Format
		A3
		Sheet
		1 / 1