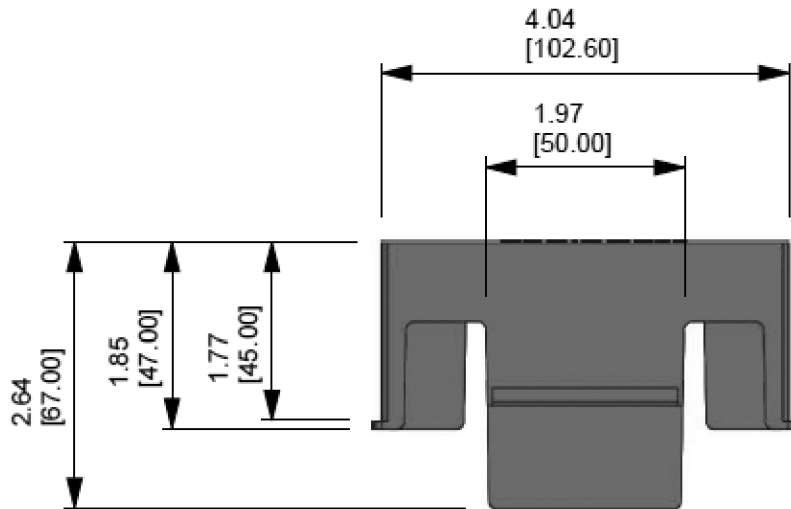
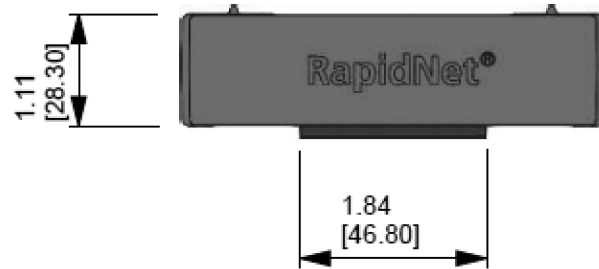


SW2014



Revision level			Revision Record	Changed	Date	Approved	Date
Drawing	State	Part					
00.0	Design Release		SEE ECN# 013468	GRW	6/10/2016	KAC	6/10/2016



Material  
PLASTIC

Units: **millimeters**  
 Dimension without tolerances details to:  
 .xxx = ±.013  
 .xx = ±.13  
 .x = ±.3  
 None = ±.8  
 < = ±0.5°  
 Dimension Formatted mm/[in]

The copyright of this drawing is reserved by HellermannTyton. It is issued on condition that it is not reproduced, copied, or disclosed to a third party, either wholly or in part, without the consent of HellermannTyton.

Drawn	GRW	6/9/2016
Approved	KAC	6/9/2016

**HellermannTyton**  
 North America  
 Email: corp@htamericas.com  
 Web: www.hellermann.tyton.com

Article/Type-No	851-40196 / RNGBLANK
Title	<b>RAPIDNET RNG MODULAR PANEL BLANK</b>
Drawing-No	<b>16-0408-001-CSU</b>
PRODUCTION : Phase	

Scale 1:1  
 Project Number PRP 16-0408  
 Format AH  
 Sheet 1/1