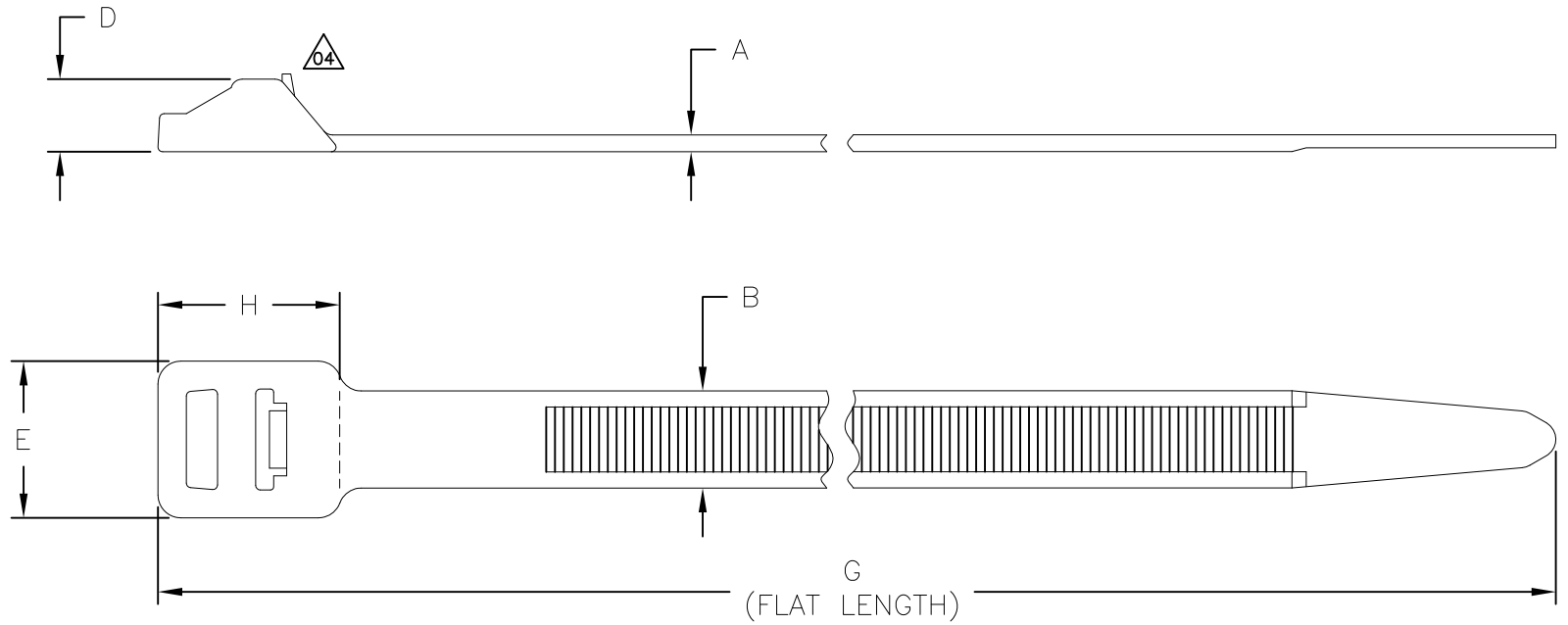


Revision level		Revision Record	Changed	Date	Approved	Date
part	drawing					
—	04					



PRODUCT CODE DESCRIPTION

RT250R_UV
 COLOR
 (CONSULT FACTORY FOR AVAILABLE COLORS)

Aerospace Spec Tie SAE AS33671	Product Code	Cable Range (mm)	Material	A	B	D	E	G	H	Min Loop Tensile Strength (newtons)
no	RT250R_	12 to 125	PA66	1.9 ±0.2	12.5±0.2	9.5 ±0.5	20.0 ±0.5	515.0 ±5.0	22.4 ±1.0	1115
no	RT250R_HIR		PA66HIR							
no	RT250R_UV		PA66UV							

SEE CHART

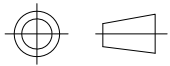
Material

Dimension tolerances unless otherwise specified
 .XXX =
 .XXX =
 .XX =
 .X = ± NOTED
 < =

Dimension Units mm

PERFORMANCE SPECIFICATION

ACAD MECH
2010



Drawn A.A.M. 12/12/00
 Approved K.A.C. 04/22/11

Scale 1:1
 Computer File Number CT\CST\2250004_04

ALL PROPRIETARY RIGHTS IN THE SUBJECT MATTER SHOWN ON THIS DRAWING ARE EXCLUSIVE PROPERTY OF HELLERMANN TYTON

HellermannTyton

7930 N. Faulkner Rd.
 Milwaukee, WI 53224
 Ph: (414) 355-1130
 Fx: (414) 362-8338

RT250R
HEAVY DUTY LASHING
RELEASABLE CABLE TIE

Drawing-No **CT2250004CST**
 Format AH
 Sheet 1 of 1