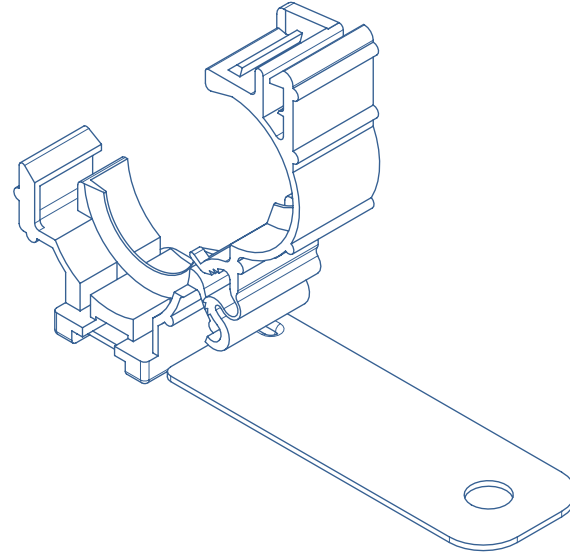
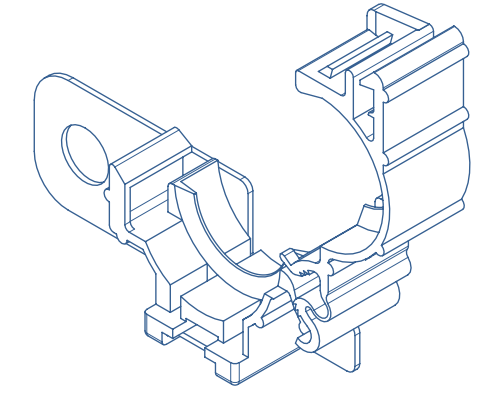


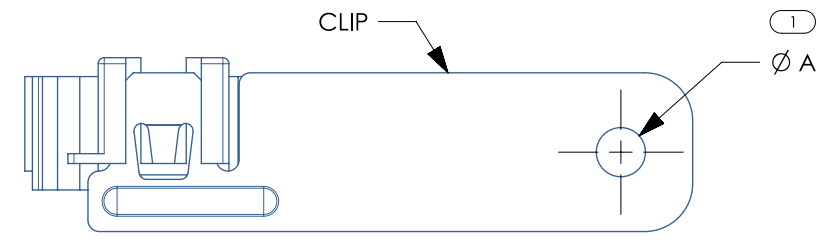
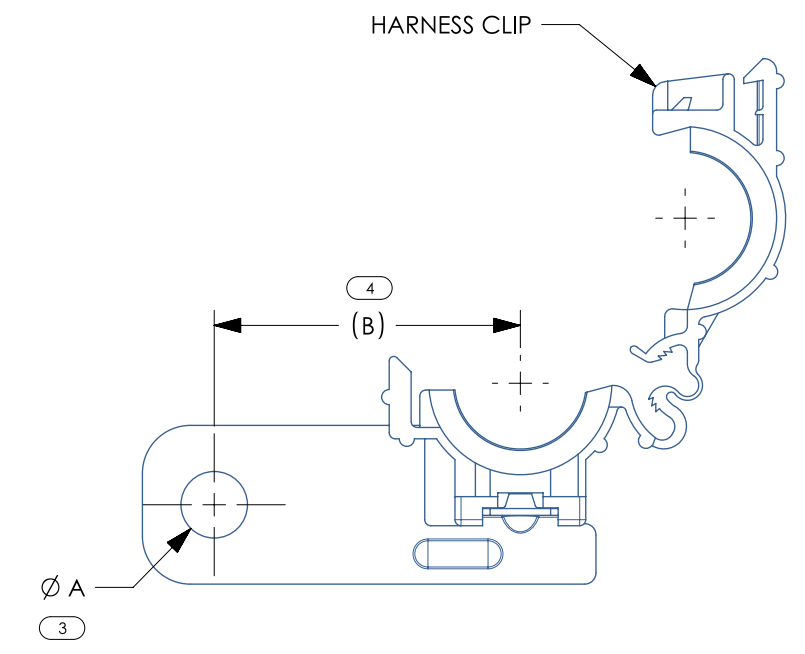
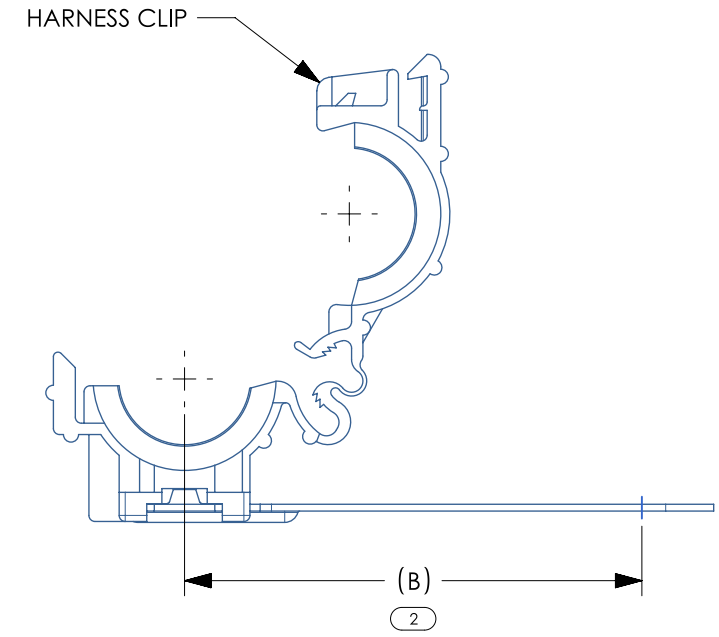
| SYMBOL DEFINITION | | MISSING SYMBOL NUMBERS | Revision Level | | | Revision Record | Changed | Date | Approved | Date |
|---|-----------------------------------|------------------------|----------------|----------------|------|-----------------|---------|----------|----------|----------|
| A DIMENSION WITHOUT AN INSPECTION REPORT SYMBOL DOES NOT REQUIRE INSPECTION. IT MAY BE CONTROLLED ON THE INDIVIDUAL COMPONENT DRAWING. | TOTAL NO. OF INSPECTIONS REQUIRED | | Drawing | State | Part | | | | | |
| | | 4 | 24.0 | Design Release | | SEE ECN# 014085 | RJE | 08/16/17 | EJH | 08/16/17 |
| | LAST NO. USED | 4 | | | | | | | | |



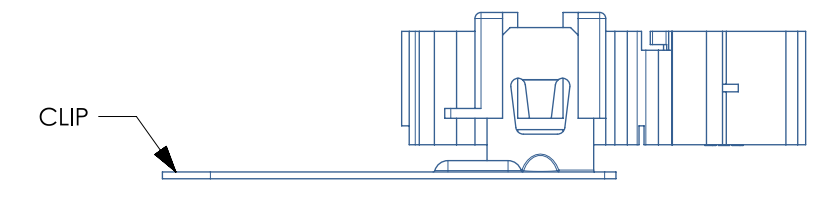
ISOMETRIC VIEW



ISOMETRIC VIEW



TYPE 101



TYPE 102

- NOTES:
- UNLESS OTHERWISE SPECIFIED AND/OR INDICATED:
DIMENSIONS ARE TO FACE OF VIEW SHOWN AND AUTOMATICALLY ROUNDED BY COMPUTER FOR INSPECTION (SEE MATH MODEL FOR PRECISE DIMENSIONS). FOR ALL OTHER DIMENSIONS NOT SHOWN, BUT REQUIRED FOR TOOL BUILD, SEE MATH MODEL FOR PRECISE TOOL PATH DATA.
 - OBsolete PART(S) CONTAIN A HEXAVALENT CHROME COATING, DO NOT USE THIS PART ON NEW APPLICATIONS. HEXAVALENT CHROME IS A BAND SUBSTANCE. IF THIS PART IS REQUIRED FOR CURRENT OR FUTURE BUSINESS OR FOR SERVICE REQUIREMENTS, CONTACT THE PRODUCT LINE ENGINEER OF MATERIALS ENGINEERING TO GET A NEW PART THAT IS FREE FROM HEXAVALENT CHROME. JULY 1, 2007 FOR SERVICE REQUIREMENTS.
 - THIS PRODUCT IS NOT CATEGORIZED AS AN APPEARANCE ITEM. MINOR IMPERFECTIONS INCLUDING, BUT NOT LIMITED TO, FLOW MARKS, COLOR BLEMISHES, GATE VESTIGES, AND SOFT FLASH THAT DO NOT AFFECT THE FIT, FORM, OR FUNCTION OF THE PART ARE PERMISSIBLE PER SPEC: S-QA-10.3-9

DIMENSIONS ENCLOSED IN () INDICATE REFERENCE DIMENSIONS AND NO TOLERANCE LIMITS ARE ESTABLISHED. THIS DRAWING SUPERCEDES DELPHI DWG: 12034064 REV 23

| TYPE | ASSY | PART NUMBER | HARNESS CLIP | CLIP | MOUNTING BOLT | Ø A | B |
|------|---------|-------------|--------------|----------|---------------|----------|------|
| 101 | 17-2089 | 13610560 | 12176838 | 15477652 | M6 | 6.5±0.1 | 60.5 |
| 101 | 17-2090 | 15495746 | 12176838 | 15477657 | M10 | 10.6±0.1 | 60.5 |
| 101 | 17-2091 | 15499079 | 12176838 | 15477653 | M10 | 10.6±0.1 | 40.5 |
| 102 | 17-2092 | 13509591 | 12176838 | 15477649 | M8 | 8.8 | 40.5 |

Material: SEE CHART
Units: millimeters
Tolerance defined on each dimension

Drawn: RJE 08/16/17
Approved: EJH 08/16/17
HellermannTyton
North America
Email: corp@htamericas.com
Web: www.hellermann.tyton.com

Article/Type-No: SEE CHART
Title: TAXI ASM MOUN CLIP - CDT
Drawing-No: 17-2089-001-CSU
PRODUCTION : Phase
Scale: 1:1
Project Number: 17-2089
Format: C
Sheet: 1 / 1