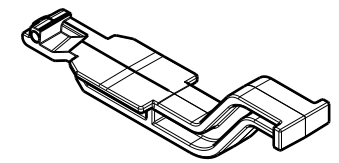
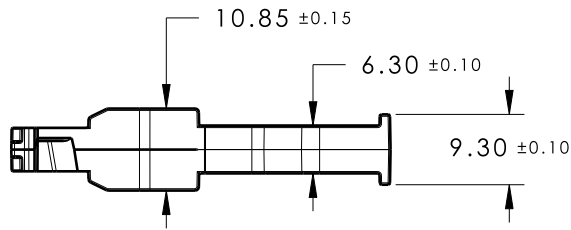
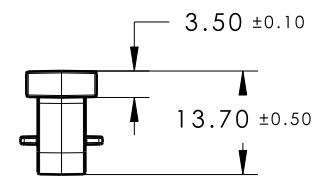
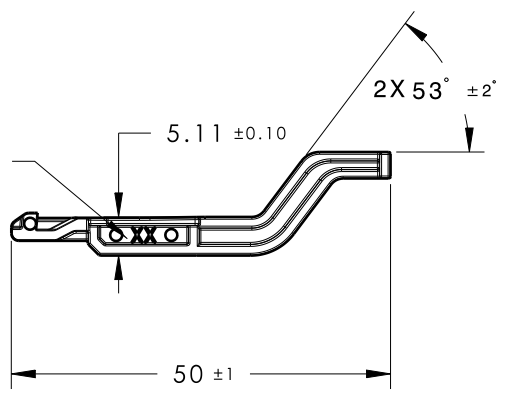


| | | | | | | | |
|----------------|----------------|------|-----------------|---------|----------|----------|----------|
| Revision Level | | | Revision Record | Changed | Date | Approved | Date |
| Drawing | State | Part | | | | | |
| 00.0 | Design Release | - | SEE ECN# 014921 | HDC | 02/06/19 | EJF | 02/06/19 |



ISOMETRIC VIEW

CAVITY ID TO BE LOCATED ON THIS SURFACE



PRODUCTION NOTES:

1. MAXIMUM PERCENT REGRIND PERMISSIBLE: 25%
2. MAX ALLOWABLE FLASH TO BE: 0..25mm
3. MAX ALLOWABLE MISMATCH TO BE: 0.1mm
4. DESIGNED TO MEET PUSH ON/PULL OFF FORCES OF SAE/USCAR-2
5. FITS INTO USCAR CLIP SLOT SPECIFICATION EWCAP-005-11 (NOT A TEST SPEC.)

| | | |
|-------------------------|----------|-------|
| GLOBAL PART DESCRIPTION | MATERIAL | COLOR |
| SOC25SO9CC11-POM-BK | POM | BLACK |

| | | | | | | | | | |
|---|----------------------|--|--|-----|----------|-----------------|---------------------------------|----------------|---------|
| Material SEE CHART COLOR: SEE CHART | Units millimeters | The copyright of this drawing is reserved by HellermannTyton. It is issued on condition that it is not reproduced, copied or disclosed to a third party, either wholly or in part, without the consent of HellermannTyton. | Drawn | HDC | 02/06/19 | Article/Type-No | SOC25SO9CC11 | Scale | 1:1 |
| | | | Approved | TAT | 02/06/19 | Title | TAPE BAR W/ 11mm CONNECTOR CLIP | Project Number | 18-1178 |
| | | |  North America Email: corp@htamericas.com Web: www.hellermann.tyton.com | | | Drawing-No | PRODUCTION : Phase | Format | AH |
| | | | | | | 18-1178-001-CSU | | Sheet | 1/1 |