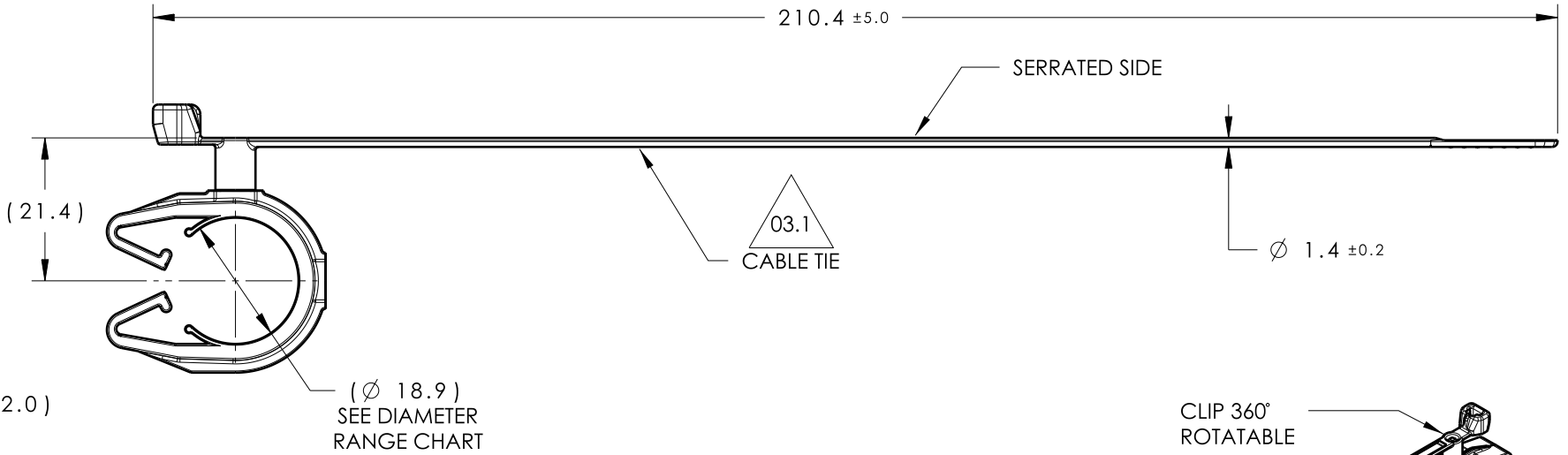


Revision Level			Revision Record	Changed	Date	Approved	Date
Drawing	State	Part					
03.1	Design Release	-	SEE ECN# 014537	TAT	7/20/18	EJH	7/20/18



TYPE	SUGGESTED DIAMETER RANGE*
HARNESS	17.0MM - 20.0MM
HOSE	17.0MM - 20.0MM
HARD PIPE/TUBE	19.0MM - 21.8MM

*RECOMMENDED SIZES MAY DIFFER DEPENDING ON THE APPLICATION , PRODUCT REQUIREMENTS AND MATERIALS USED

**PATENT PENDING 29/582,271

GLOBAL PART DESCRIPTION	BUNDLE RANGE	CABLE TIE			CLIP**		
		DRAWING	MATERIAL	COLOR	DRAWING	MATERIAL	COLOR
T50SMVCMOC19M-PA66HIRHSUV-BK	2 TO 50	14-0606-012-CSU	PA66HIRHSUV	BLACK	16-0322-000-CSU	PA66HIRHSUV	BLACK

Material
SEE CHART
COLOR: SEE CHART

Units millimeters
Tolerance defined on each dimension

The copyright of this drawing is reserved by HellermannTyton. It is issued on condition that it is not reproduced, copied or disclosed to a third party, either wholly or in part, without the consent of HellermannTyton.

Drawn TAT 5/17/17
Approved EJH 5/31/17

HellermannTyton

North America
Email: corp@htamericas.com
Web: www.hellermann.tyton.com

Article/Type-No T50SMVCMOC19M
Title T50SMVC CABLE TIE COUPLED TO 19MM MOC
Drawing-No PRODUCTION : Phase
16-0322-302-CSU

Scale	1:1
Project Number	16-0322
Format	AH
Sheet	1/1