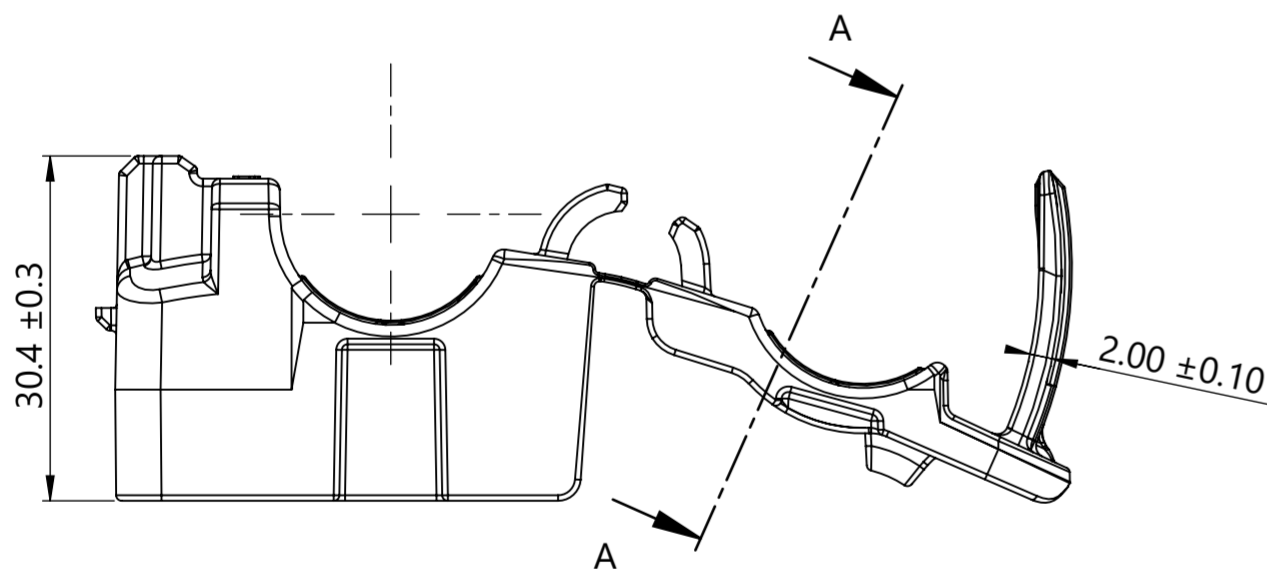
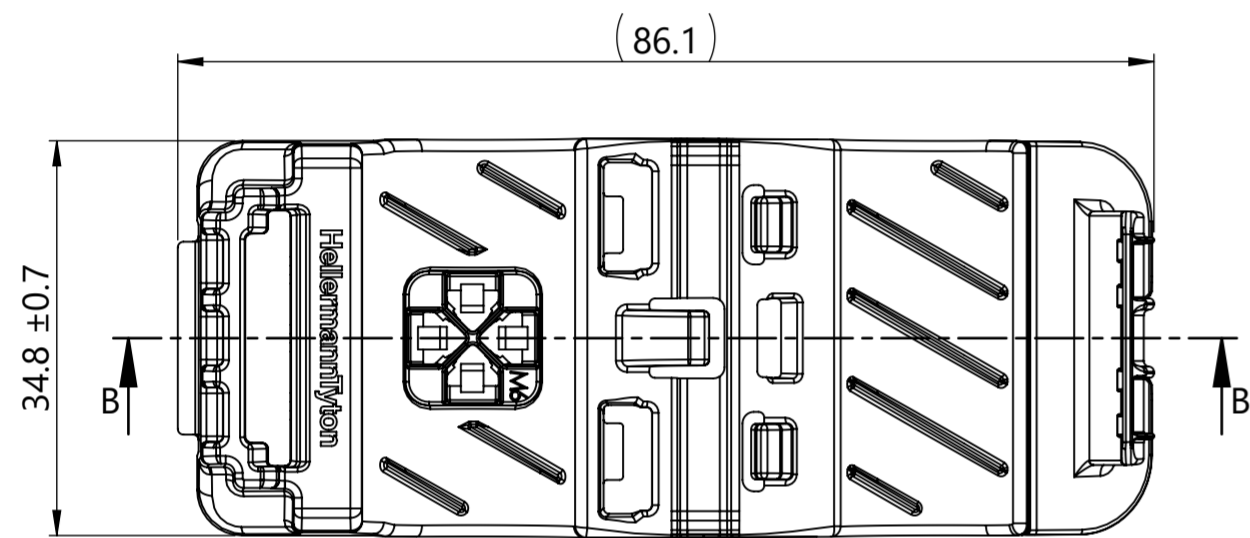
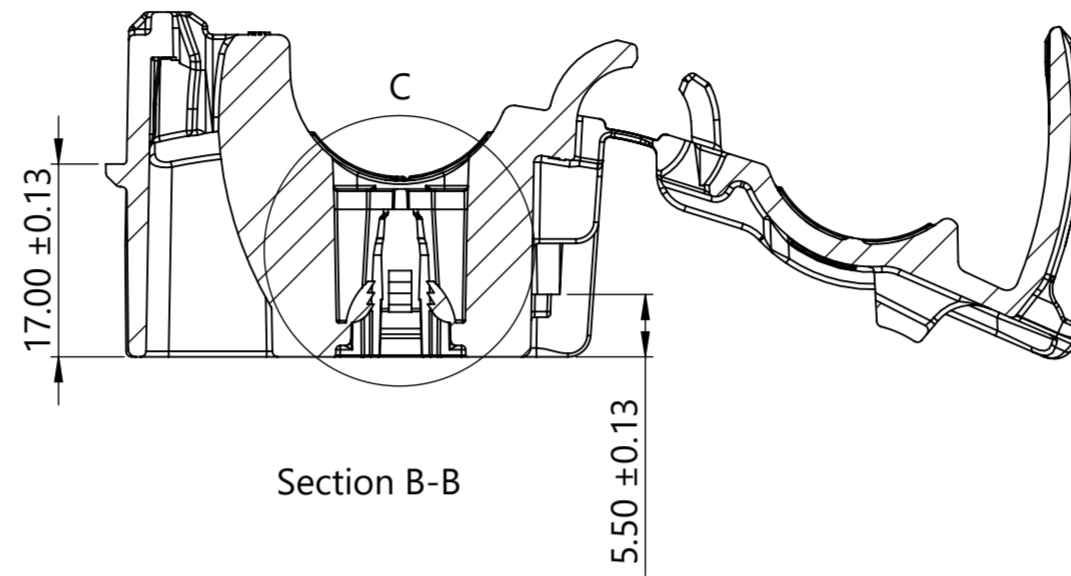
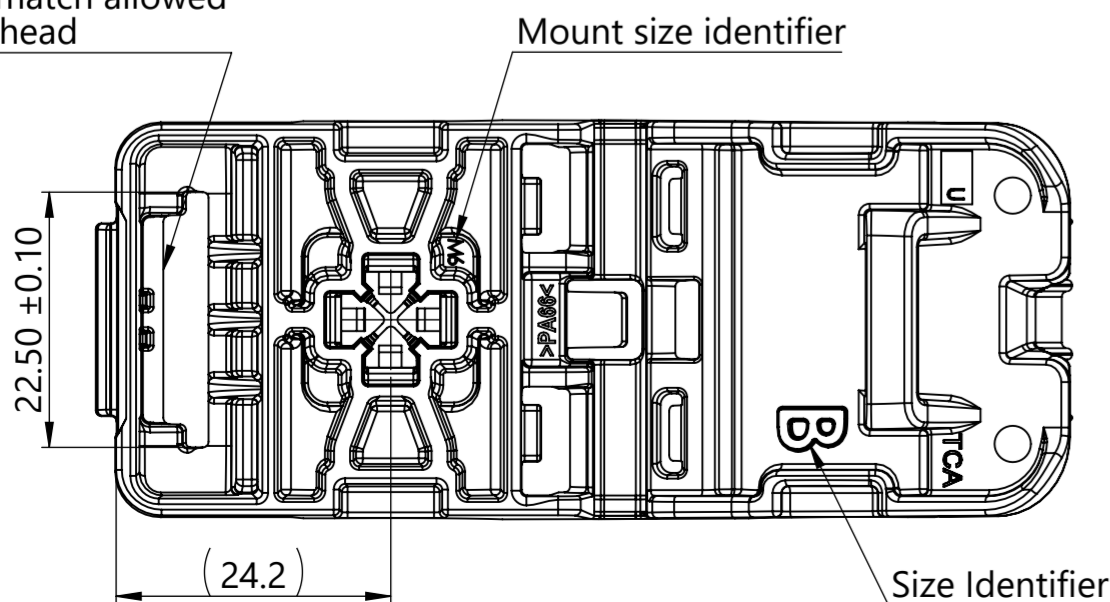


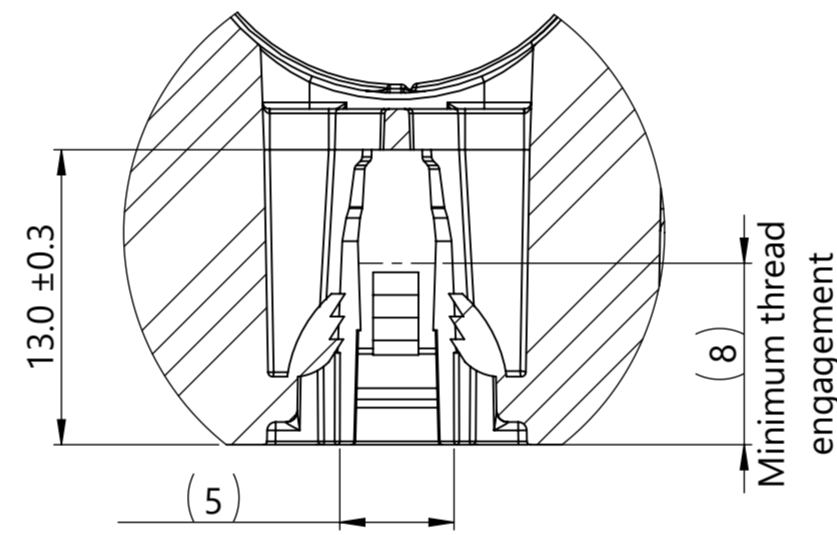
Isometric View
Product shipped in clamp open position



0.10 Maximum flash or mismatch allowed inside head



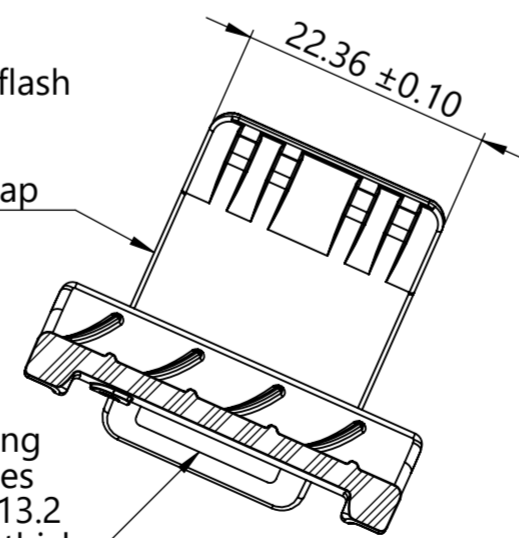
Section B-B



Stud Mount for M5/M6

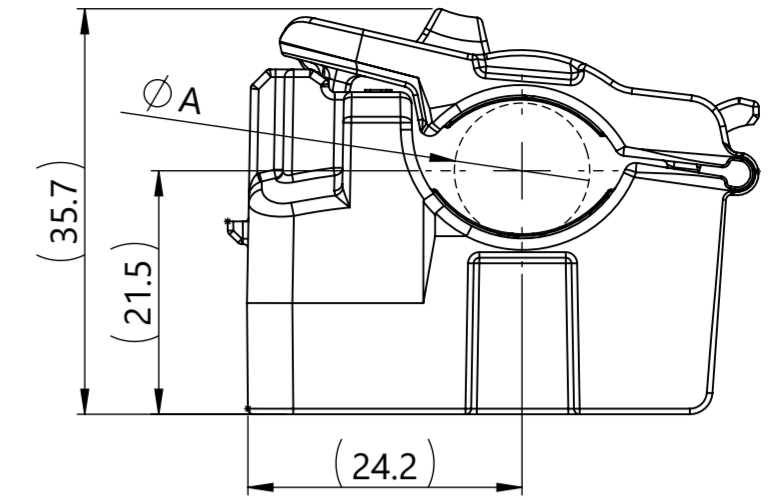
Detail C
Scale 3 : 1

0.10 Maximum flash or mismatch allowed around perimeter of strap

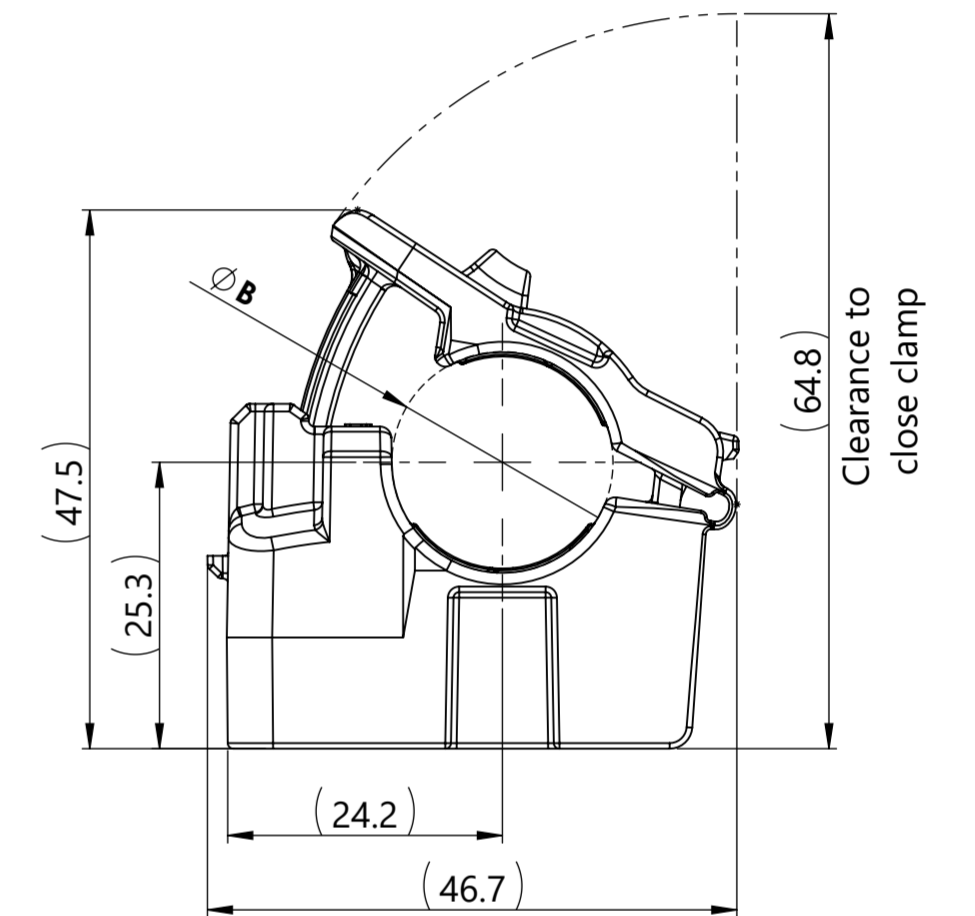


Section A-A

Saddle opening accommodates Straps up to 13.2 wide and 2.1 thick



Minimum Bundle Diameter



Maximum Bundle Diameter

Performance requirements:
Dry as molded with ≤ 0.5% moisture content:

- ITS-0001 Ratchet Clamp Split Mandrel Test: 445 newtons [100 lbf] minimum at a nominal bundle diameter of 15.88 [0.625in]
- ITS-0006 Push On and Pull Off Stud Mount
Push on force: 45 newtons [10 lbf] maximum
Pull off force: 222 newtons [50 lbf] minimum

Notes:

- Material: See chart
- Material color: See chart
- Maximum percent regrind permissible: 25%
- Maximum allowable flash to be: 0.50 "Unless otherwise noted"
- Maximum allowable mismatch to be: 0.15 "Unless otherwise noted"

Bundle Types	A Minimum Diameter	B Maximum Diameter
Soft	12.7 ± 0.3	19.5 ± 0.3
Hard	11.9 ± 0.3	18.7 ± 0.3

Global Part Number	Global Part Description	Mounting Stud Size	Type Number	Material	Color
21-0240	CMRCBSMM6-PA66HIRSUV-BK	M5/M6	CMRCBSMM6	PA66HIRSUV	Black

Revision level			Revision Record		
Drawing	State	Part	ECN 016827		
00.0	Design Release	-			
Changed	Date (YYYY/MM/DD)				
Spangler	2022/01/18				
Approved	Date (YYYY/MM/DD)				
Toll	2022/01/18				

The copyright of this drawing is reserved by HellermannTyton.

Drawn: Spangler, Date: 2021/04/09
Approved: Toll, Date: 2021/04/09

HellermannTyton
www.HellermannTyton.com

CMRCBSMM6
Title: Center Mount RCB Ratchet P-Clamp, Size B, Clamp Range 12.7 to 19.5, M6 Stud Mount
Scale: 3:2
Global Project Number: 21-0240
Drawing-No: 21-0240-002-CSU
Format: A2
Sheet: 1/1