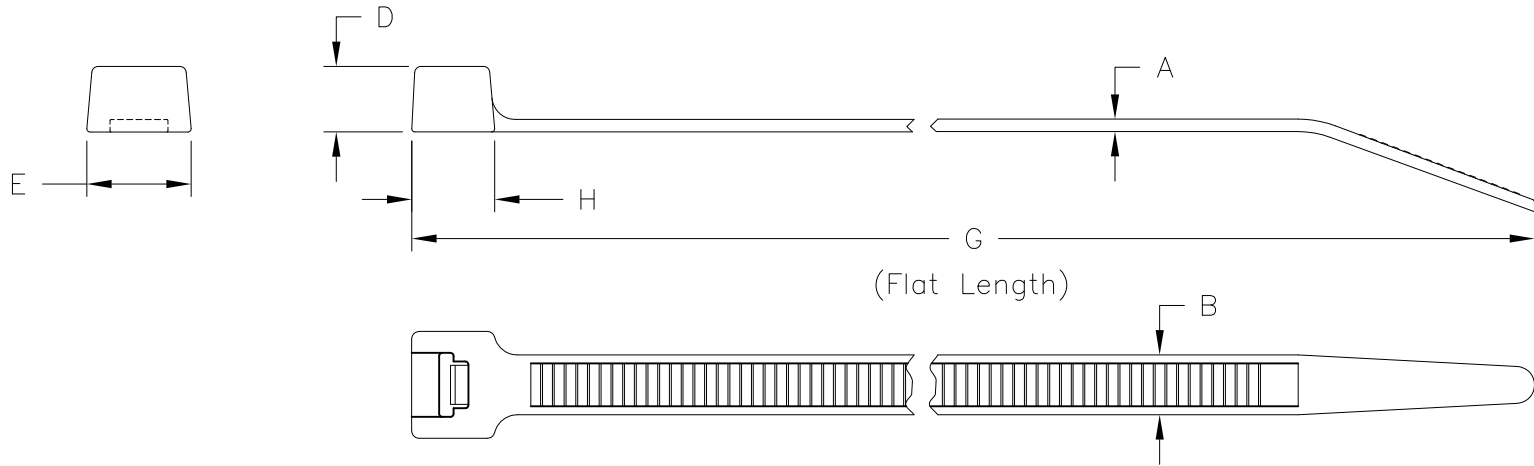


Revision level		Revision Record	Changed	Date	Approved	Date
part	drawing					
—	06	See ECN 012645	A.A.C.	04/11/14	K.A.C.	04/11/14



06

TYPE	Cable Range (mm)	Material	Aerospace Spec. Tie SAE A33671	A	B	D	E	G	H	Min Loop Tensile Strength (newtons)
T120R	5 to 105	PA46	no	1.9 ±0.2	7.6 ±0.2	7.35 ±1.0	12.65 ±1.0	387.0 ±10.0	10.5 ±1.5	535
	15 to 105	PA66VO	no							
	5 to 105	PA66	yes							
	5 to 105	PA66UV	yes							
	5 to 105	PA66HS	no							
	5 to 105	PA66HIRHSUV	no							

SEE CHART

**Material**

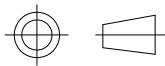
Dimension tolerances unless otherwise specified

- .XXXX =
- .XXX =
- .XX = NOTED
- .X = NOTED
- < =

Dimension Units mm

PERFORMANCE SPECIFICATION

ACAD MECH  
2013



Drawn

G.G.G.

11/8/91

Scale

1:1

Computer File Number  
CT\CST\2120003\_06

Approved

K.A.C.

04/11/14

Title

**T120R  
HEAVY DUTY LASHING  
CABLE TIE**

ALL PROPRIETARY RIGHTS IN THE  
SUBJECT MATTER SHOWN ON THIS  
DRAWING ARE EXCLUSIVE  
PROPERTY OF HELLERMANNTYTON

**HellermannTyton.**

7930 N. Faulkner Rd.  
Milwaukee, WI 53224  
Ph: (414) 355-1130  
Fx: (414) 362-8338

Drawing-No

**CT2120003CST**

Format

AH

Sheet 1 of 1