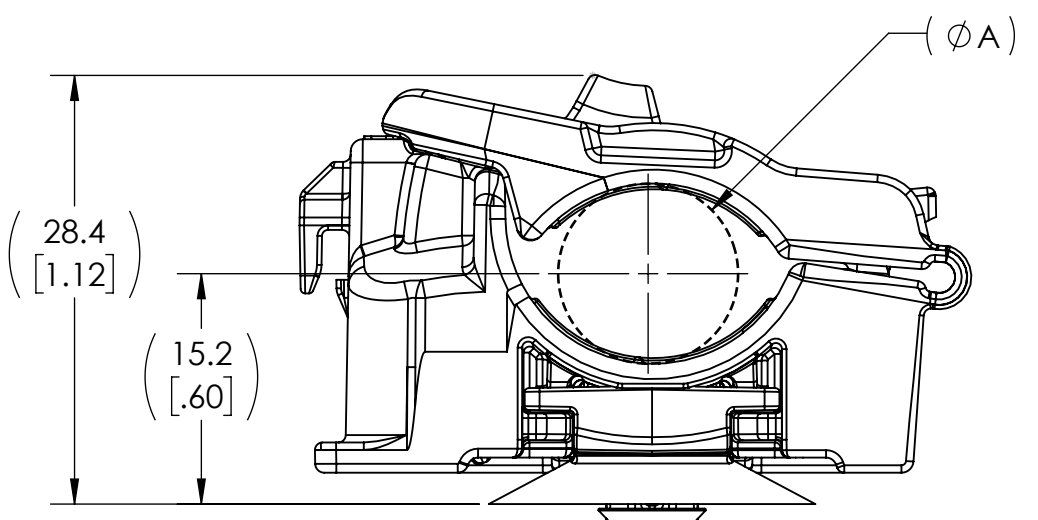
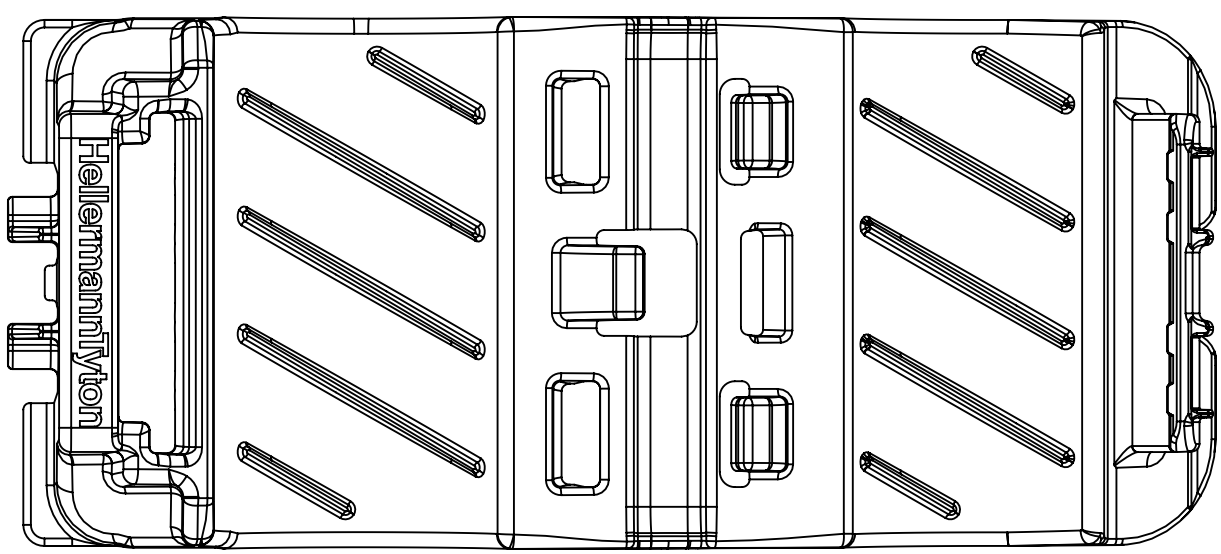
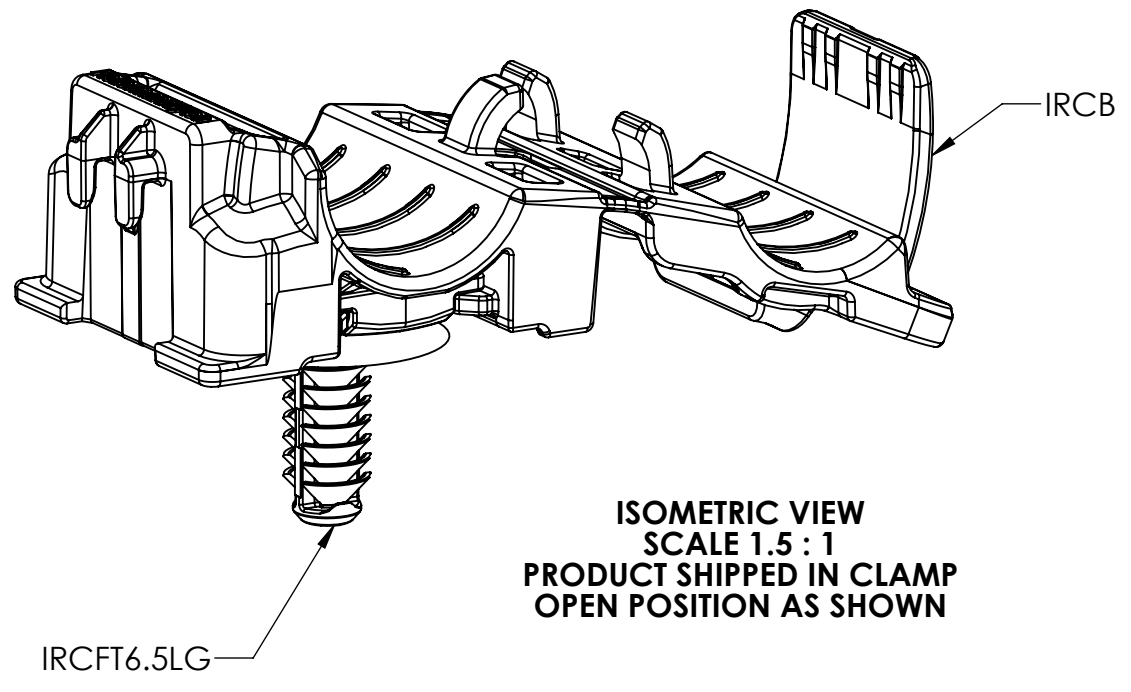
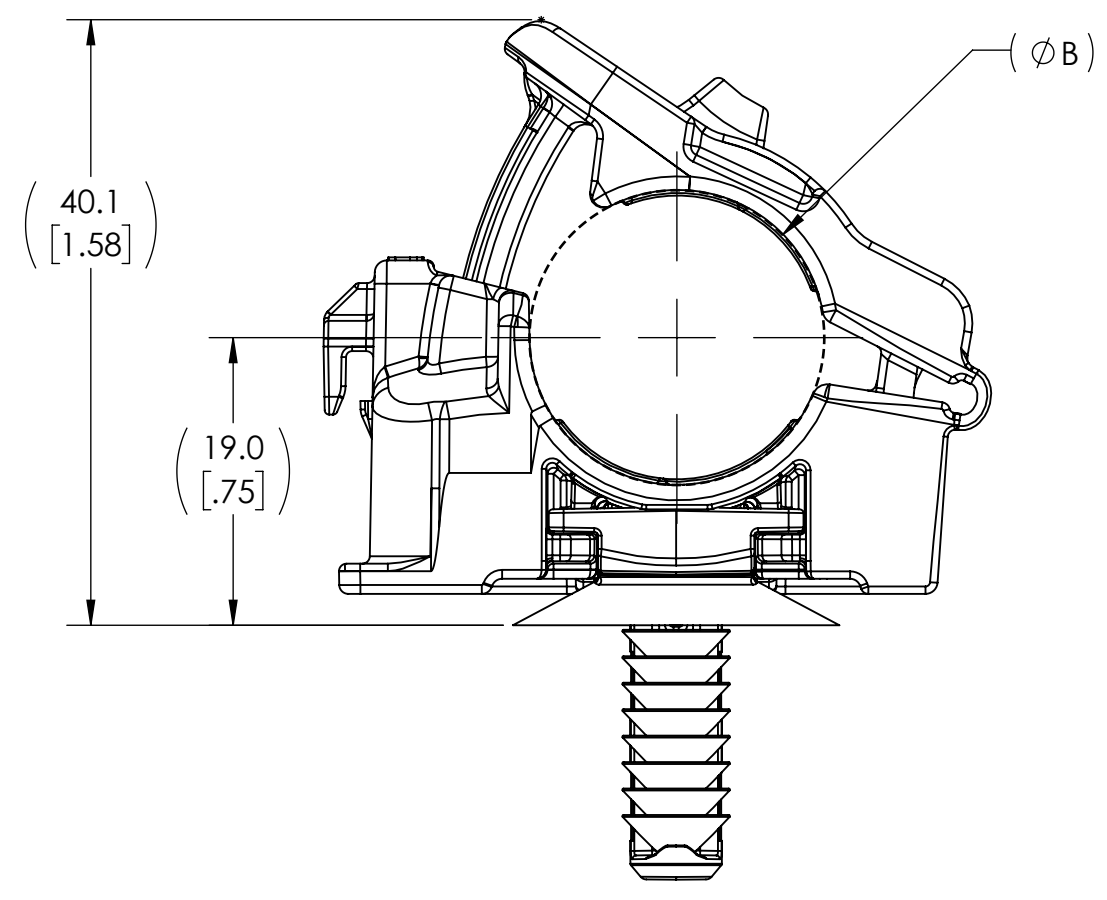
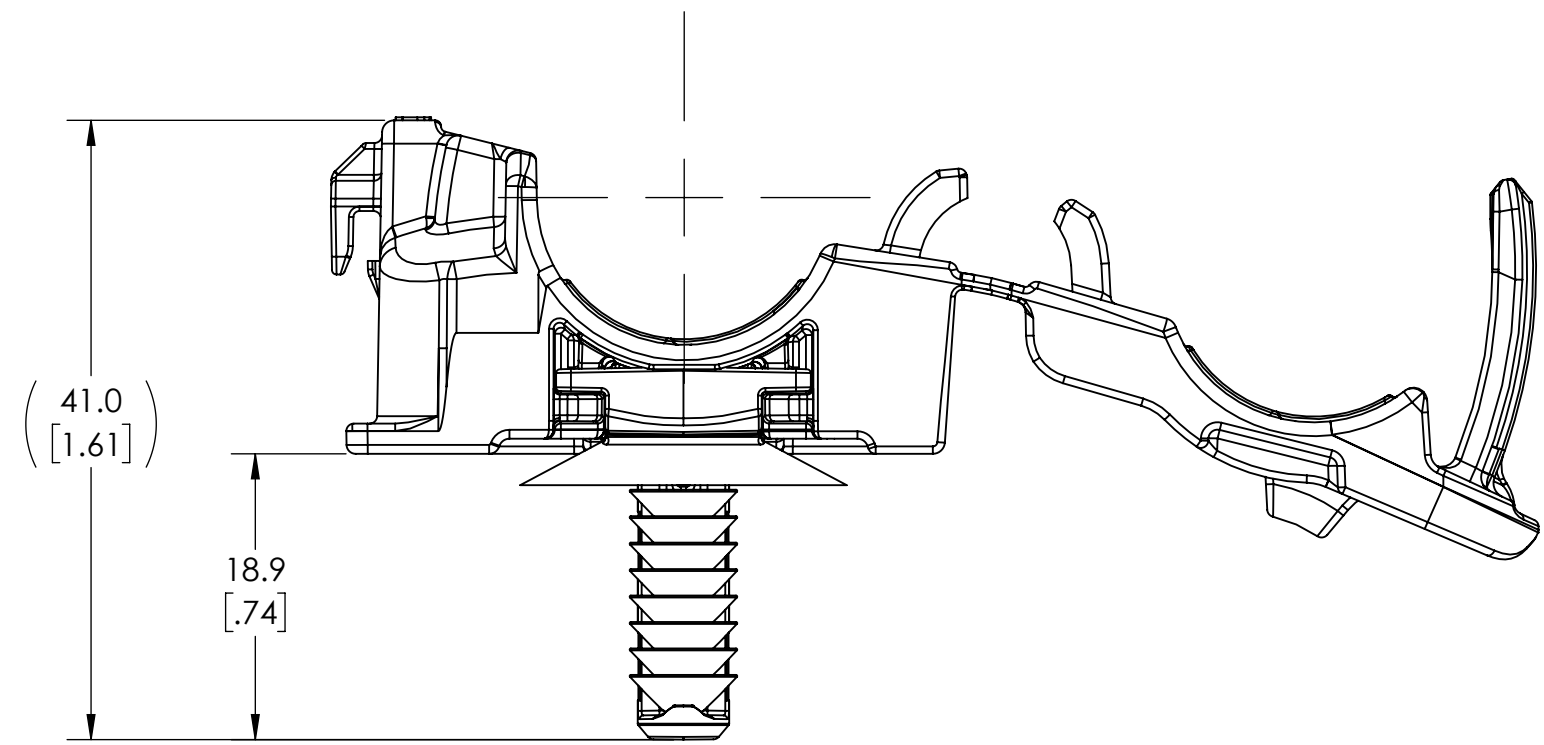
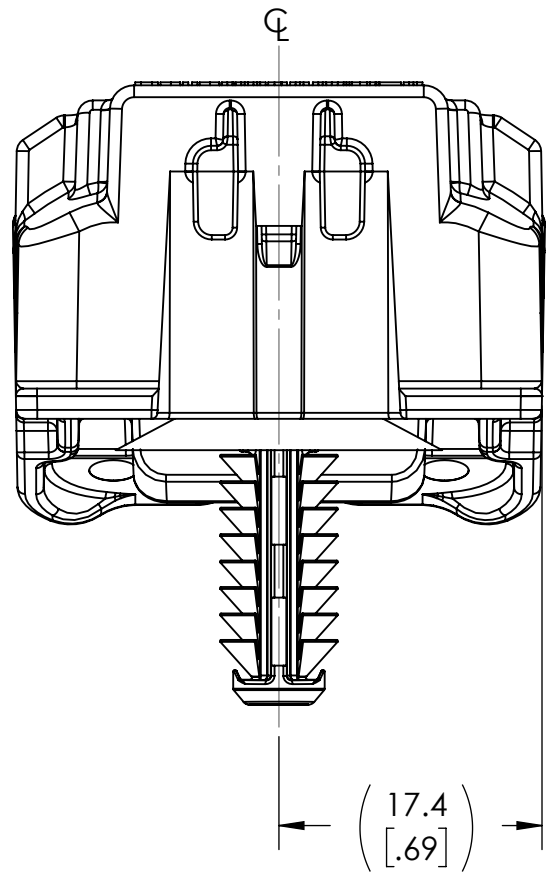


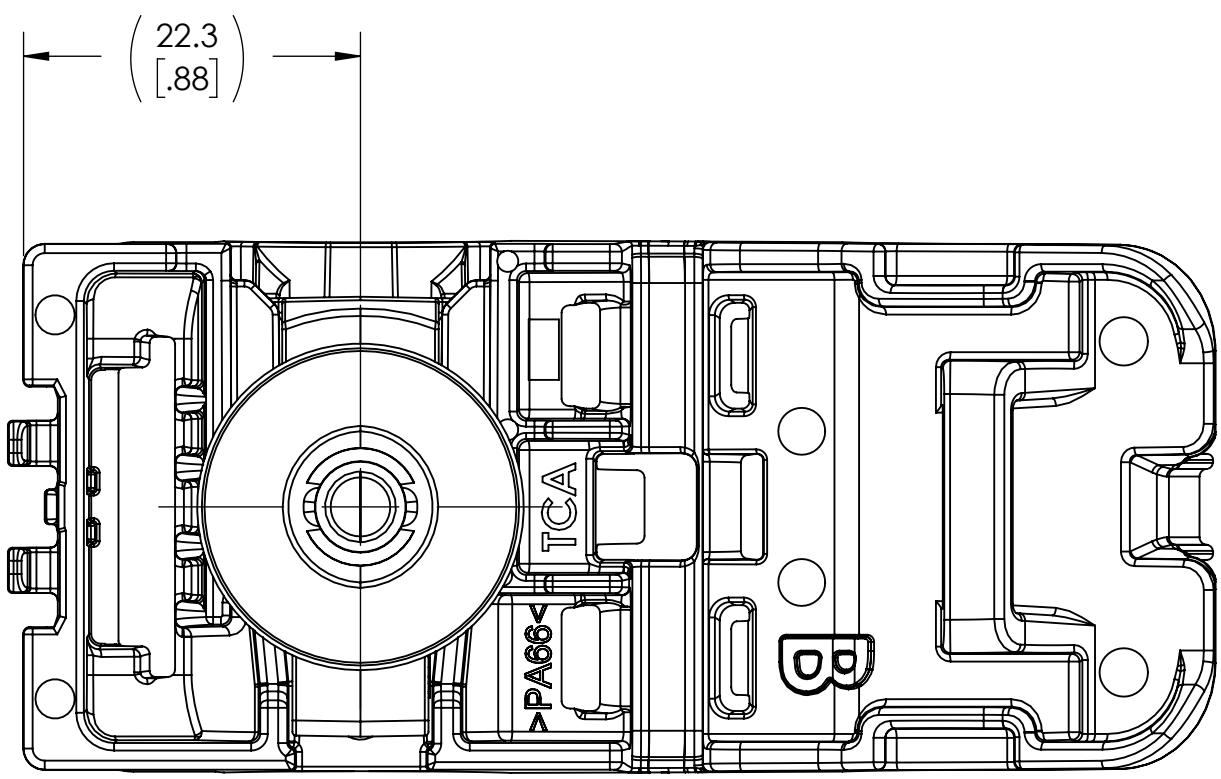
Revision level			Revision Record	Changed	Date	Approved	Date
Drawing	State	Part					
00.0	Design Release		SEE ECN# 015255	MHT	06/28/2019	CTF	06/28/2019



MINIMUM BUNDLE DIAMETER




MAXIMUM BUNDLE DIAMETER



- REFERENCE:**
- SHEET METAL THICKNESS RANGE: 0.60mm - 9.00mm
 - APPLICABLE HOLE SIZE:
 - A. 6.50mm +/-0.40
 - B. 6.35mm +/-0.20
 - C. 6.60mm +/-0.20
 - D. 6.35mm HEX +/-0.20

GLOBAL PART DESCRIPTION	BUNDLE TYPES	(A) MINIMUM DIAMETER	(B) MAXIMUM DIAMETER	IRCB CLAMP			IRCFT6.5LG CONNECTOR CLIP		
				DRAWING	MATERIAL	COLOR	DRAWING	MATERIAL	COLOR
IRCBFT6.5LG-PA66HIRHSUV-BK	SOFT	12.7 [.50]	19.5 [.77]	16-1640-002-CSU	PA66HIRHSUV	BLACK	16-1645-051-CSU	PA66HIRHSUV	BLACK
	HARD	11.9 [.47]	18.7 [.74]						

Notes	Material SEE CHART	Units: millimeters Dimension without tolerances details to: .xxx = ±.013 .xx = ±.13 .x = ±.3 None = ±.8 < = ±0.5*	The copyright of this drawing is reserved by HellermannTyton. It is issued on condition that it is not reproduced, copied, or disclosed to a third party, either wholly or in part, without the consent of HellermannTyton.	Drawn	MHT	06/24/2019	Article/Type-No IRCBFT6.5LG	Scale 2:1	
				Approved	CTF	06/24/2019			Title INLINE RATCHET P-CLAMP B WITH 6.5mm LONG FIR TREE
				 <p>North America Email: corp@htamericas.com Web: www.hellermann.tyton.com</p>			Drawing-No 19-0324-102-CSU	Production : Phase	Format C
								Sheet 1/1	