

Reference:

Cable tie

- 1. Material: See chart
- 2. Material color: See chart

Performance requirements at 2.4% moisture by weight:

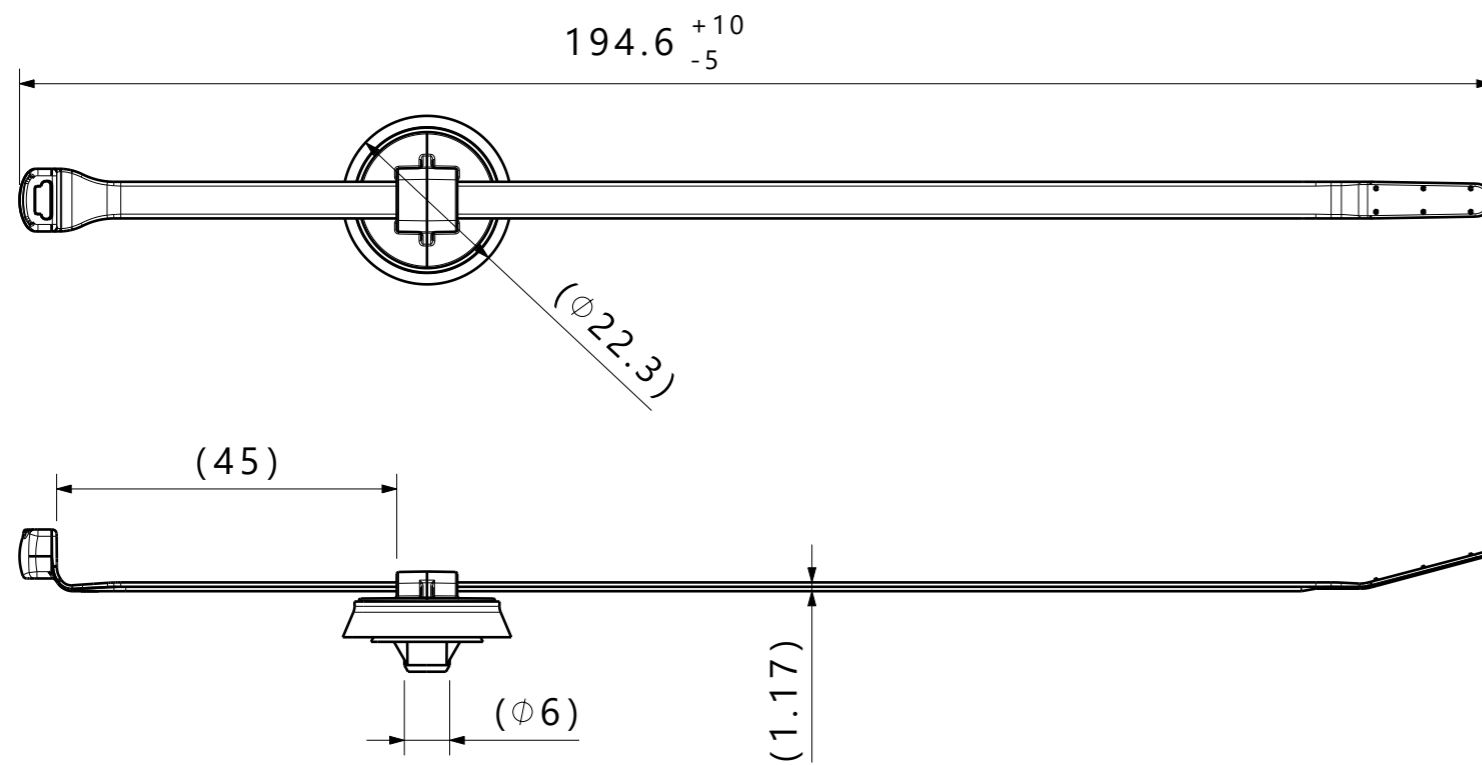
- 1. Cable tie min loop tensile strength: 225 newtons (50 lbf)

Mount

- 1. Material: See chart
- 2. Material color: See chart
- 3. Sheet metal thickness range: 0.6mm - 1.1mm
- 4. Applicable oval hole sizes:
 - A. 6.5mm +/-0.4
 - B. 6.35mm Hex +/-0.2mm

Performance requirements at dry as molded:

- 1. Arrowhead push in force: 45 newtons (10 lbf) max in each applicable nominal oval hole size and a plate thickness of 1.8mm.
- 2. Arrowhead pull out force: 110 newtons (25 lbf) min in each applicable nominal oval hole size and a plate thickness of 1.8mm.
- 3. Design to meet static & high pressure spray seal requirements of SAE/ USCAR-44.



Global Part Description	Bundle Range	Cable Ties			Mount		
		Drawing	Material	Color	Drawing	Material	Color
LPT50RSRAH6.5SD-PA66HS/PA66HIRHS/TPE-BK	4mm to 50mm	16-0362-001-CSU	PA66HS	Black	16-0348-021-CSU	PA66HIRHS/TPE	Black

Revision Level		
Drawing	State	Part
00.1	Design Release	
Changed	Date (YYYY/MM/DD)	
Rohde	2022/05/05	
Approved	Date (YYYY/MM/DD)	
Haftarski	2022/05/05	

Revision Record	
ECN 017001	

All drawing revisions are stored in CAD PDM database

The copyright of this drawing is reserved by HellermannTyton.

Drawn	Date (YYYY/MM/DD)
Rohde	2022/04/12
Approved	Date (YYYY/MM/DD)
Haftarski	2022/05/05

Title	LPT50R cable tie with sealed round barrel arrowhead mount	Scale	1:1
Drawing-No		Global Project Number	22-0121
22-0121-101-CSU		Format	A3
		Sheet	1 / 1

Units: mm
HellermannTyton
 www.HellermannTyton.com