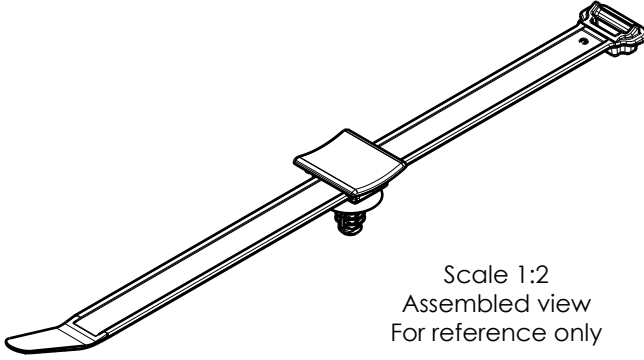
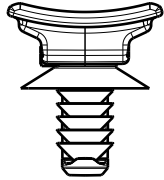
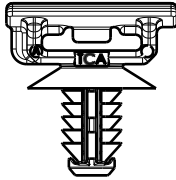
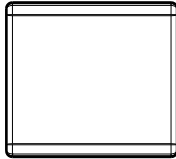
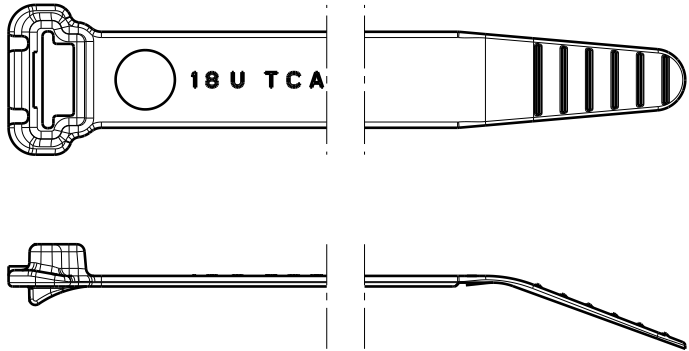


Revision Level			Revision Record	Changed	Date	Approved	Date
Drawing	State	Part					
02.2	Design Release	-	SEE ECN# 017515	Mehl	05/02/2023	Johnson	05/16/2023



Scale 1:2  
Assembled view  
For reference only

FTM8WSSD  
Delivery Condition: Unassembled set



WSI  
Delivery Condition: Unassembled set

Global Part Description	Bundle Range	Cable Ties			Mount		
		Drawing	Material	Color	Drawing	Material	Color
WSIDFTM8WSSDSET-PA66HIRHS/PA66HIRHSUV-OG/BK	9.4 - 82.6 mm	CT2127004CST	PA66HIRHS	Orange RAL 2003	17-1598-001-CSU	PA66HIRHSUV	Black

Material  
See Chart  
COLOR: See Chart

Units millimeters  
Tolerance defined on each dimension

The copyright of this drawing is reserved by HellermannTyton. It is issued on condition that it is not reproduced, copied or disclosed to a third party, either wholly or in part, without the consent of HellermannTyton.

Drawn	Mehl	05/02/2023
Approved	Johnson	05/16/2023
<b>HellermannTyton</b>		
North America Email: corp@htamericas.com Web: www.hellermann.tyton.com		

Article/Type-No WSIDFTM8WSSDSET  
Title Saddle Mount with FT6.5/M8 and T120 Wide Strap Set  
Drawing-No 17-1596-011-CSU  
Production : Phase

Scale 1:1  
Project Number 17-1596  
Format AH  
Sheet 1/1