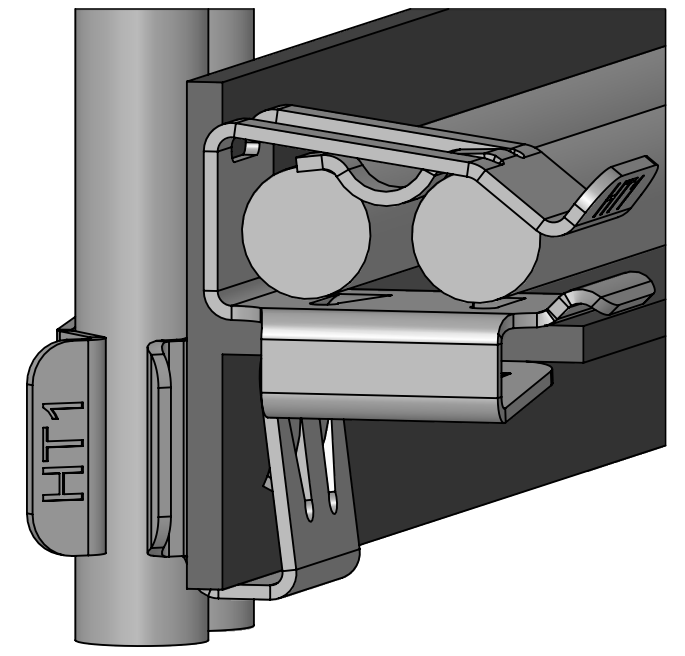
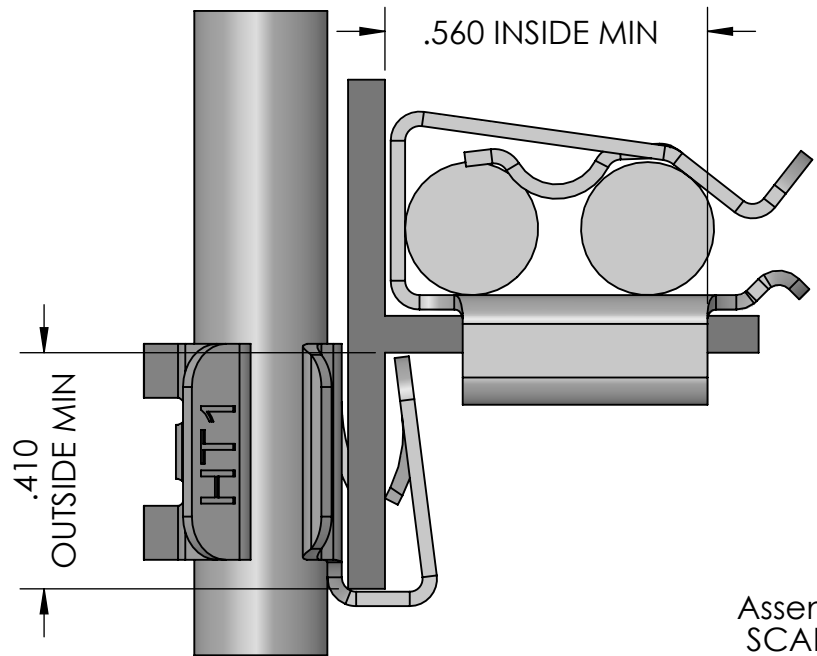
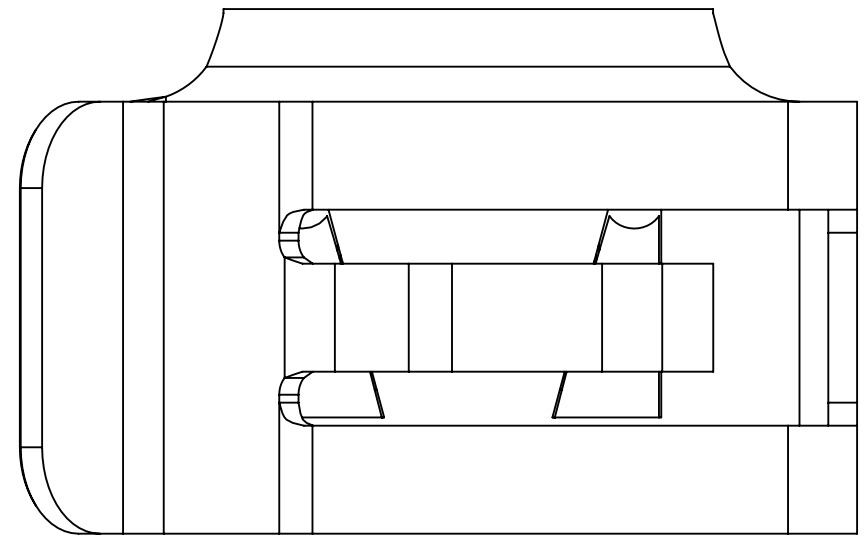
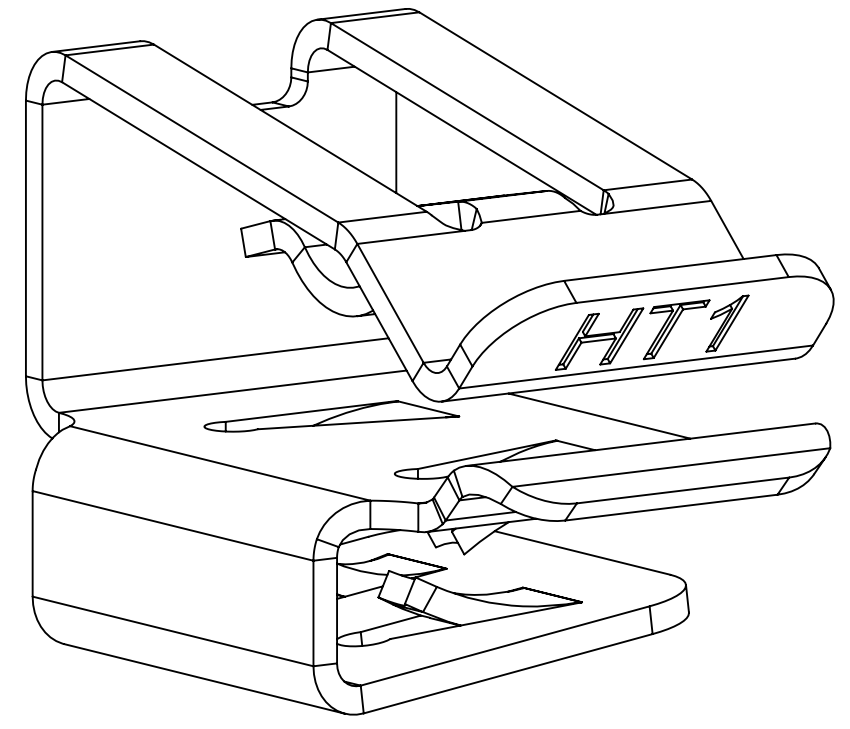
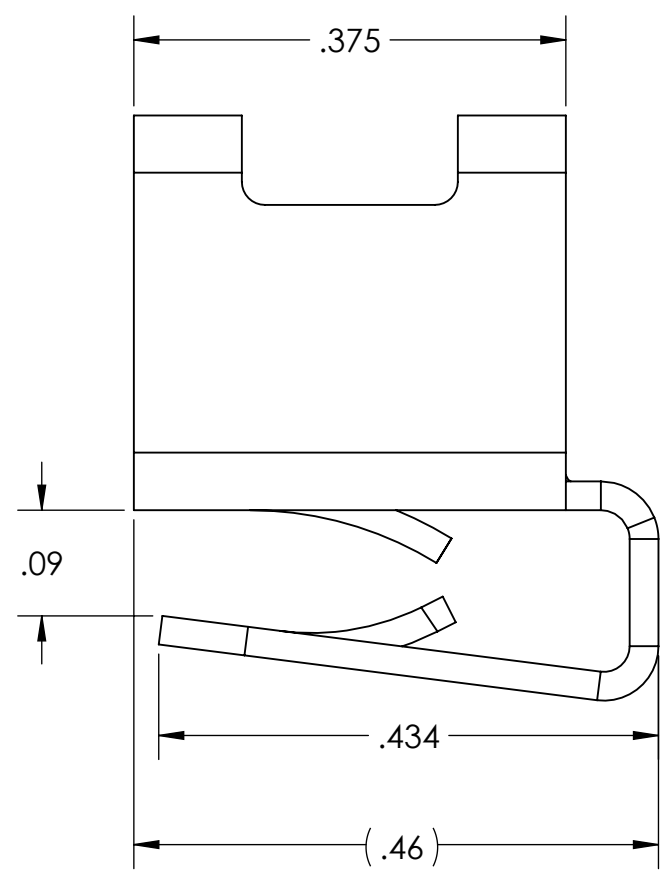
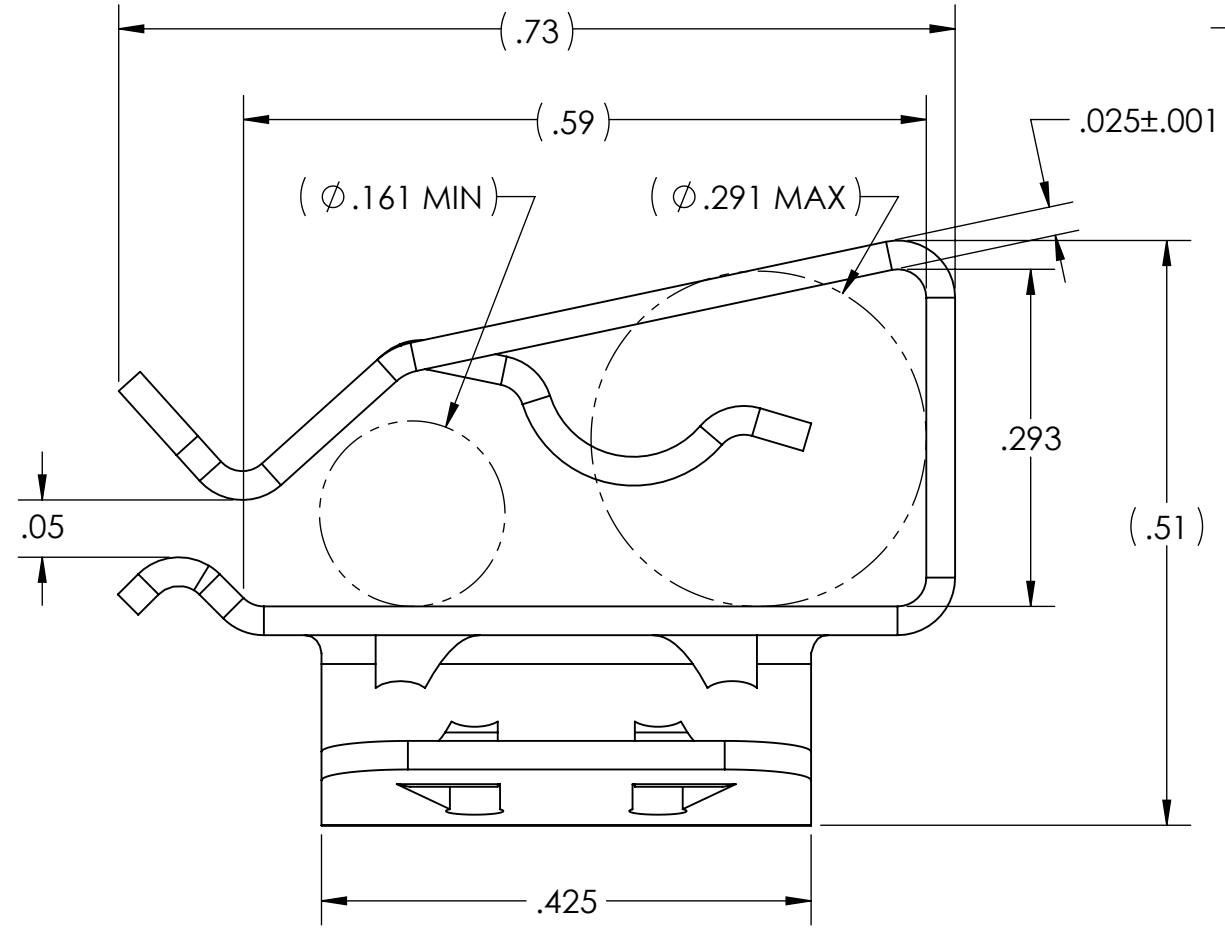


| Revision level |                |      | Revision Record | Changed | Date     | Approved | Date     |
|----------------|----------------|------|-----------------|---------|----------|----------|----------|
| Drawing        | State          | Part |                 |         |          |          |          |
| 00.0           | Design Release |      | SEE ECN# 014484 | GAL     | 6/6/2018 | JPG      | 6/6/2018 |



Assembled  
SCALE 3:1



| GLOBAL PART DESCRIPTION | MATERIAL | COLOR      |
|-------------------------|----------|------------|
| MSC901-SS304-ML         | SS304    | Metal (ML) |

Notes  
 PANEL THICKNESS RANGE: .030in - .049in  
 CABLE DIAMETER RANGE: .161in - .291in  
 INSIDE MIN PANEL DEPTH: .560"  
 OUTSIDE MIN PANEL DEPTH: .410"

Material  
 304 3/4 HARD STAINLESS  
 STEEL ROUND EDGE  
 ROHS COMPLIANT

Units: inches  
 Dimension without tolerances details to:  
 .xxxx = ±.0005  
 .xxx = ±.005  
 .xx = ±.01  
 .x = ±.03  
 None = ±.06  
 < = ±0.5°  
 Dimension Formatted in/[mm]

The copyright of this drawing is reserved by HellermannTyton. It is issued on condition that it is not reproduced, copied, or disclosed to a third party, either wholly or in part, without the consent of HellermannTyton.

|          |     |           |
|----------|-----|-----------|
| Drawn    | GAL | 8/30/2017 |
| Approved | KAC | 8/30/2017 |

**HellermannTyton**  
 North America  
 Email: corp@htamericas.com  
 Web: www.hellermann.tyton.com

|                    |                                  |       |                |
|--------------------|----------------------------------|-------|----------------|
| Article/Type-No    | MSC901                           | Scale | 6:1            |
| Title              | 90° METAL SOLAR CLIP LOW PROFILE |       | Project Number |
| Drawing-No         | 18-1218-001-CSU                  |       | PRP18-1218     |
| Production : Phase | Format                           | B     |                |
|                    | Sheet                            | 1/1   |                |