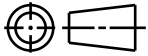
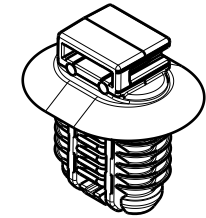
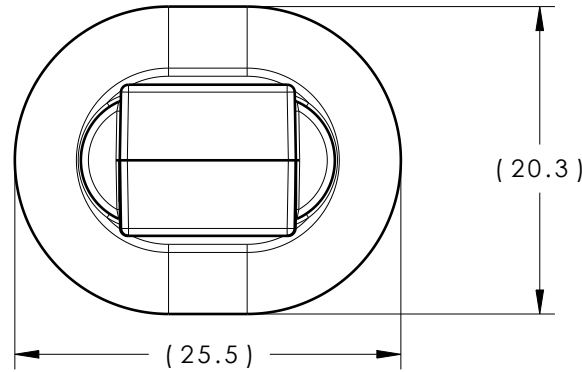


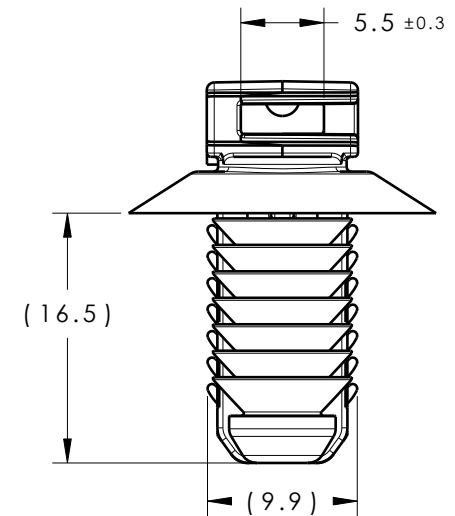
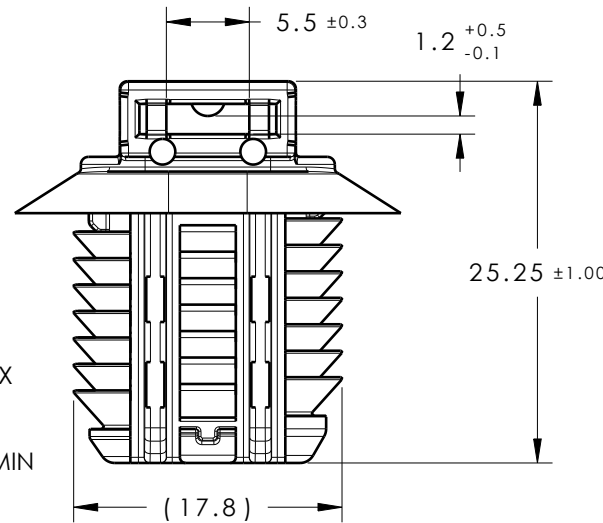
CATIA V5



Revision Level			Revision Record	Changed	Date	Approved	Date
Drawing	State	Part					
02.1	Design Release	A	SEE ECN# 013643	CJR	12/19/16	KVH	12/19/16



ISOMETRIC VIEW
SCALE 1:1



- REFERENCE:
PERFORMANCE REQUIREMENTS:
1. FIR TREE PUSH IN FORCE: 65 NEWTONS (15 LBS) MAX IN EACH APPLICABLE NOMINAL OVAL HOLE SIZE AND A PLATE THICKNESS OF 1.8mm.
 2. FIR TREE PULL OUT FORCE: 155 NEWTONS (35 LBS) MIN IN EACH APPLICABLE NOMINAL OVAL HOLE SIZE AND A PLATE THICKNESS OF 1.8mm.
 3. SHEET METAL THICKNESS RANGE: 0.60mm - 9.50mm
 4. APPLICABLE OVAL HOLE SIZES:
A. 9.0 X 17.0mm +/- 0.4
 5. MAXIMUM PERCENT REGRIND PERMISSIBLE: 25%
 6. MAX ALLOWABLE FLASH OR MISMATCH TO BE: 0.2mm ON FIR TREE, 0.5mm ON REST OF PART.



Material UROPPSFX72T6 COLOR: SILVER 	Units millimeters Tolerance defined on each dimension	The copyright of this drawing is reserved by HellermannTyton. It is issued on condition that it is not reproduced, copied or disclosed to a third party, either wholly or in part, without the consent of HellermannTyton.	Drawn	CJR	1/6/16	Article/Type-No	FT9X17LGPPS/ 151-01535	Scale	2:1	
			Approved	KVH	1/6/16	Title	CABLE TIE SLOT WITH 9mm X 17mm LG FIR TREE	Project Number	15-0876	
			HellermannTyton North America Email: corp@htamericas.com Web: www.hellermann.tyton.com			Drawing-No	15-0876-001-CSU	PRODUCTION Phase	Format	AH
						Sheet	1/1			