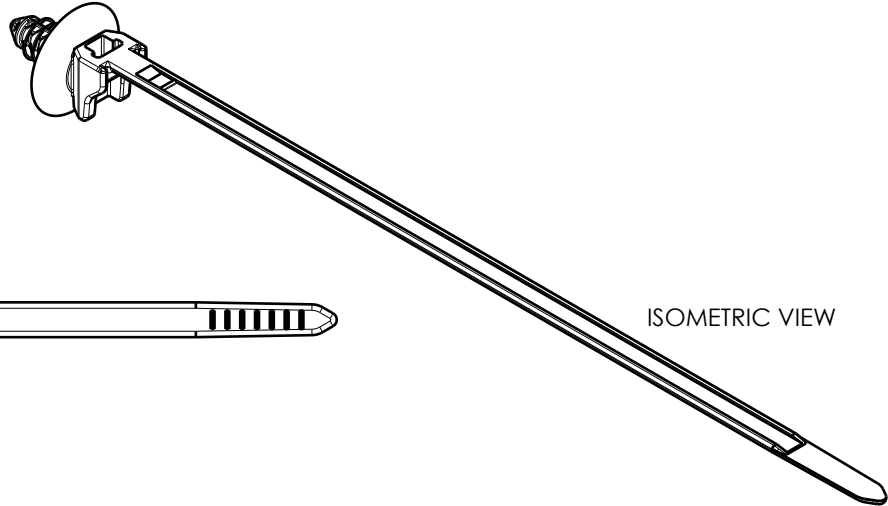
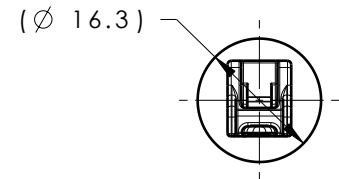
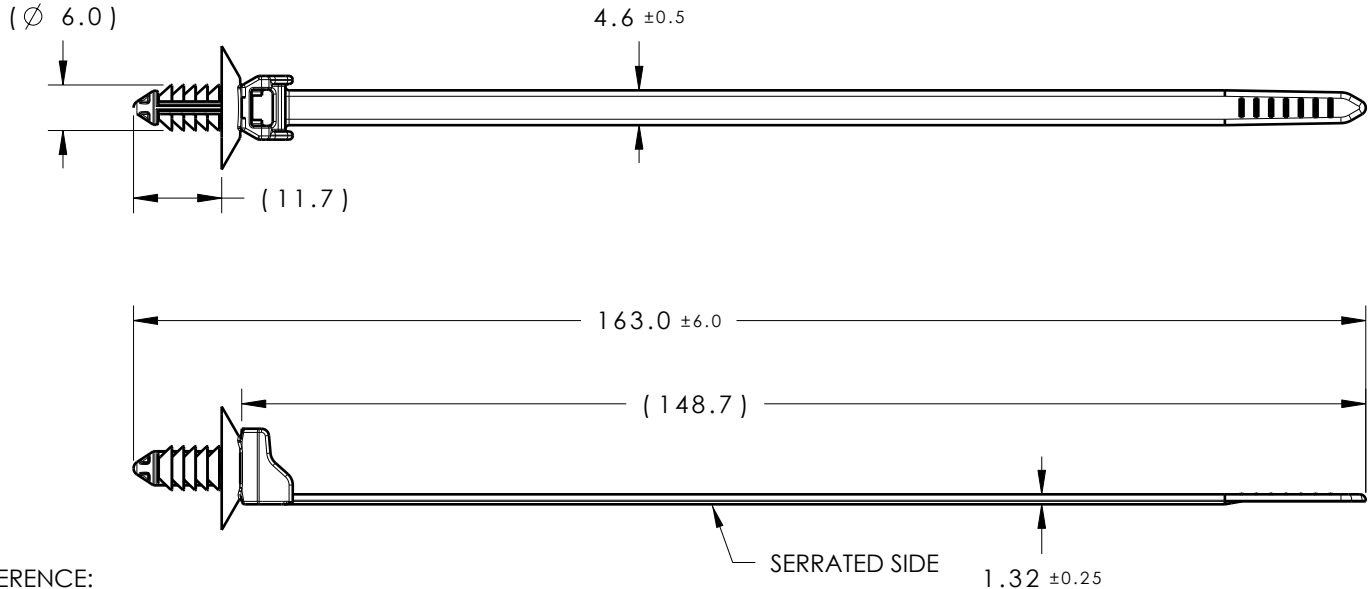


Revision Level			Revision Record	Changed	Date	Approved	Date
Drawing	State	Part					
02.2	Design Release	A	SEE ECN# 013239	CJR	8/26/15	SJA	8/26/15



ISOMETRIC VIEW



- REFERENCE:
 PERFORMANCE REQUIREMENTS AT DRY AS MOLDED:
1. FIR TREE PUSH IN FORCE: 45 NEWTONS (10 LBS) MAX
 IN THE APPLICABLE NOMINAL HOLE SIZE AND A
 PLATE THICKNESS OF 1.8mm.
 2. FIR TREE PULL OUT FORCE: 110 NEWTONS (25 LBS) MIN
 IN THE APPLICABLE NOMINAL HOLE SIZE AND A
 PLATE THICKNESS OF 1.8mm.
 3. SHEET METAL THICKNESS RANGE: 0.60mm - 6.0mm
 4. APPLICABLE HOLE SIZE: 5.35mm +/- 0.25mm
 5. CABLE TIE MIN LOOP TENSILE STRENGTH: 180 NEWTONS (40 LBS)
 6. BUNDLE RANGE: 2.0mm TO 35mm

Material PA66HIRHS COLOR: BLACK	Units	millimeters	The copyright of this drawing is reserved by HellermannTyton. It is issued on condition that it is not reproduced, copied or disclosed to a third party, either wholly or in part, without the consent of HellermannTyton.	Drawn	SJA	03/27/14	Article/Type-No T50SOSFT5.35	Scale	1:1
	Tolerance defined on each dimension			Approved	CJR	03/27/14		Title T50 CABLE TIE WITH FT5.35	Project Number
				 North America Email: corp@htamericas.com Web: www.hellermann.tyton.com			Drawing-No		PRODUCTION : Phase
								14-0589-001-CSU	Sheet