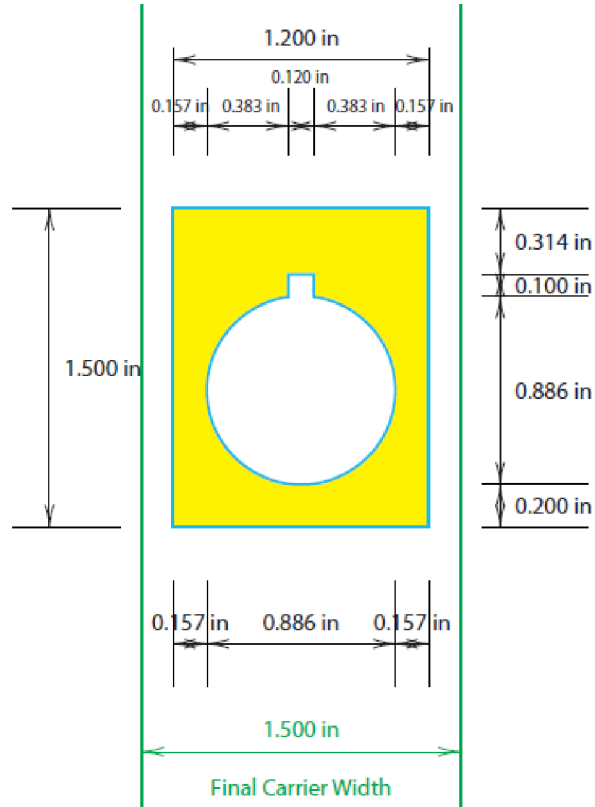


SW2015



Revision level			Revision Record	Changed	Date	Approved	Date
Drawing	State	Part					
00.0	Design Release		SEE ECN# 014234	CAS	12/13/2017	KAC	12/13/2017



NOTES:

QTY: 250 PER ROLL

OPERATING TEMPERATURES:
-40F (-40C) TO +176F (+80C)

COLOR SPECIFICATION:

- Yellow
- Flood
- DIELINE

Part Number	Global Part Name
596-00405	NPLH31X38YE22.5-PET-YE

Material NO. 518	Units: inches	The copyright of this drawing is reserved by HellermannTyton. It is issued on condition that it is not reproduced, copied, or disclosed to a third party, either wholly or in part, without the consent of HellermannTyton.	Drawn	CAS	12/13/2017	Article/Type-No NPLH31X38YE22.5	Scale	1:1	
	Dimension without tolerances details to: .xxxx = ±.0005 .xxx = ±.005 .xx = ±.01 .x = ±.03 None = ±.06 ∠ = ±0.5° Dimension Formatted in/[mm]		Approved	KAC	12/13/2017		Title Foam Nameplate, 1.2" x 1.5" Button Label With .88" Hole	Project Number	PRP 17-2129
	<p>North America Email: corp@htamericas.com Web: www.hellermann.tyton.com</p>			Drawing-No	PRODUCTION : Phase			Format	AH
							17-2129-001-CSU		Sheet