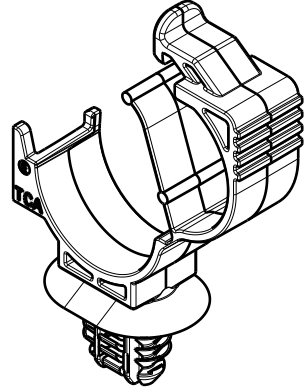
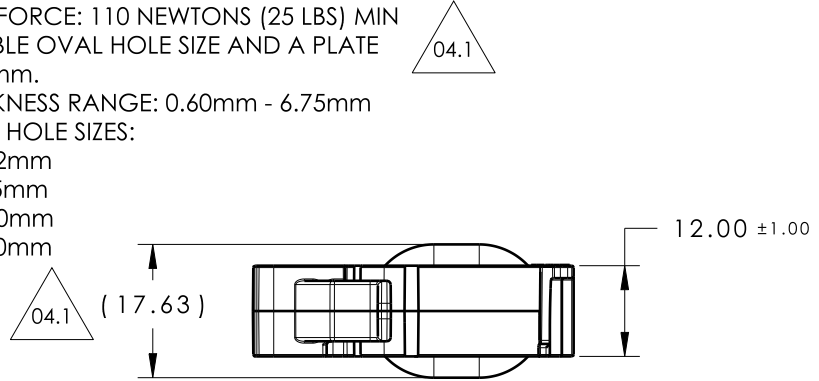


Revision Level			Revision Record	Changed	Date	Approved	Date
Drawing	State	Part					
04.1	Design Release	E	SEE ECN# 012751	KVH	7/28/14	EJH	8/6/14

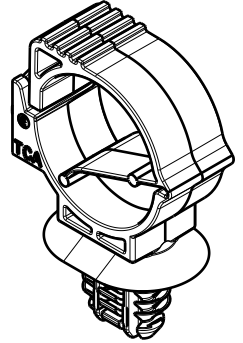
REFERENCE:

PERFORMANCE REQUIREMENTS AT DRY AS MOLDED:

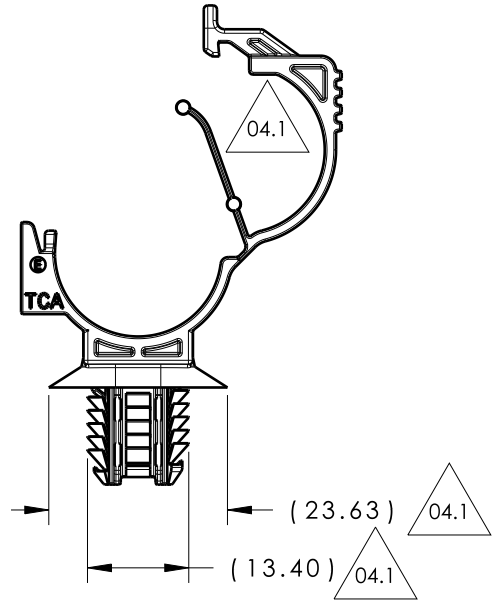
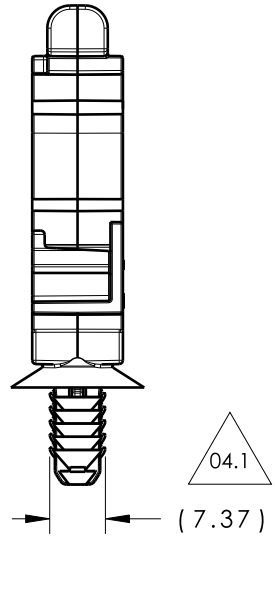
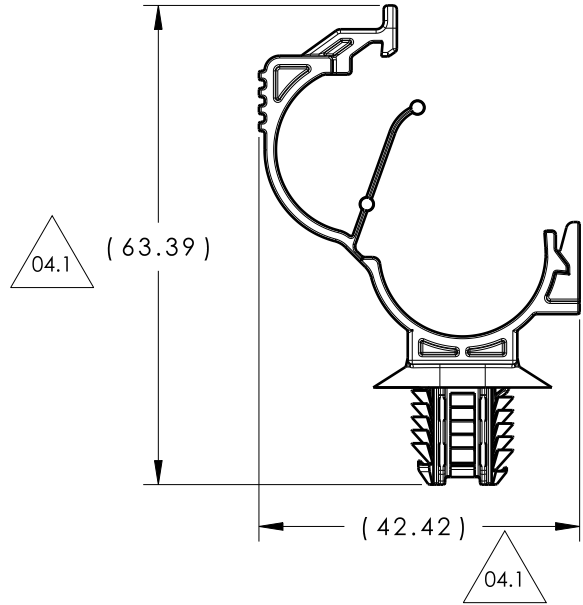
1. FIR TREE PUSH IN FORCE: 45 NEWTONS (10 LBS) MAX IN EACH APPLICABLE OVAL HOLE SIZE AND A PLATE THICKNESS OF 1.8mm.
2. FIR TREE PULL OUT FORCE: 110 NEWTONS (25 LBS) MIN IN EACH APPLICABLE OVAL HOLE SIZE AND A PLATE THICKNESS OF 1.8mm.
3. SHEET METAL THICKNESS RANGE: 0.60mm - 6.75mm
4. APPLICABLE OVAL HOLE SIZES:
 - A. 6.2 X 12.2mm
 - B. 6.5 X 12.5mm
 - C. 6.5 X 13.0mm
 - D. 7.0 X 12.0mm



ISOMETRIC VIEW OPEN POSITION



ISOMETRIC VIEW CLOSED POSITION



Material PA66HIRHS COLOR: BLACK	Units	millimeters	The copyright of this drawing is reserved by HellermannTyton. It is issued on condition that it is not reproduced, copied or disclosed to a third party, either wholly or in part, without the consent of HellermannTyton.	Drawn	KVH	12/4/12	Article/Type-No LOC15-19FTOVAL	Scale	1:1	
	Tolerance defined on each dimension	Approved		SJA	12/4/12	Title LOCKING OMEGA CLIP (15 TO 19mm BUNDLE) WITH OVAL FIR TREE		Project Number	12-0429	
		HellermannTyton North America Email: corp@htamericas.com Web: www.hellermann.tyton.com			Drawing-No		PRODUCTION : Phase	Format	AH	
					12-0429-021-CSU		Sheet	1/1		