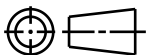


CATIA V5

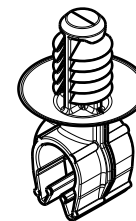
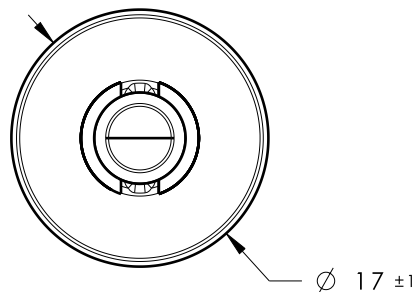


Revision Level			Revision Record	Changed	Date	Approved	Date
Drawing	State	Part					
02.1	Design Release	-	SEE ECN# 013925	TAT	6/23/17	EJH	6/23/17

REFERENCE:

PERFORMANCE REQUIREMENTS AT DRY AS MOLDED:

1. FIR TREE PUSH IN FORCE: 45 NEWTONS (10 LBS) MAX IN THE APPLICABLE NOMINAL HOLE SIZE AND A PLATE THICKNESS OF 1.8mm.
2. FIR TREE PULL OUT FORCE: 155 NEWTONS (35 LBS) MIN IN THE APPLICABLE NOMINAL HOLE SIZE AND A PLATE THICKNESS OF 1.8mm.
3. SHEET METAL THICKNESS RANGE: 0.60mm - 5.5mm
4. APPLICABLE HOLE SIZE:
 - A. 6.5mm +0.5/- 0.4
5. FITS USCAR MATING HOLE EWCAP -007 (NOT A TEST SPEC.)

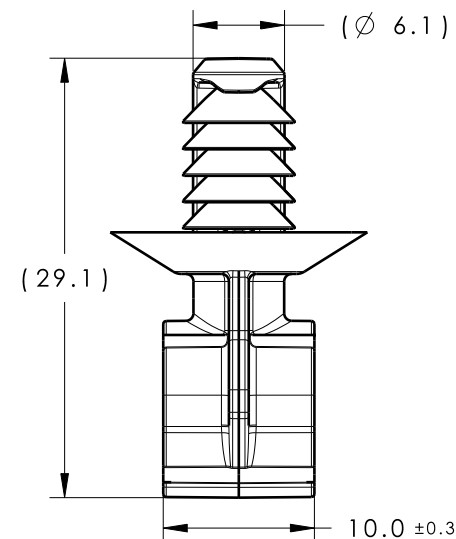
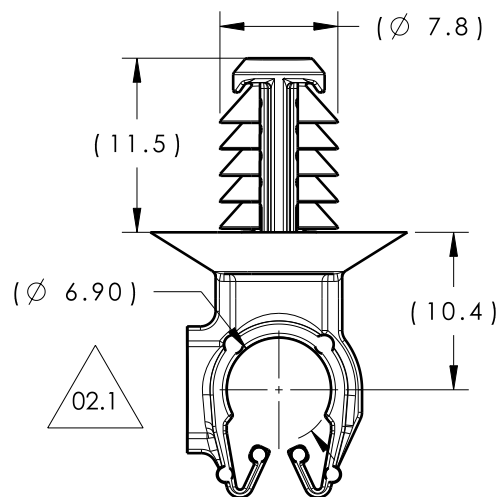


ISOMETRIC VIEW
SCALE 1:1

NOTES:

1. MAXIMUM PERCENT REGRIND PERMISSIBLE: 25%
2. MAX ALLOWABLE FLASH OR MISMATCH TO BE 0.5mm.

*PATENT PENDING 29/582,271



DIAMETER RANGE		
HARNESS	HOSE	HARD PIPE/TUBE
6.5MM-7.5MM	6.0MM-7.5MM	7.0MM-8.0MM

Material PA66 COLOR: BLACK	
----------------------------------	--

Units millimeters
Tolerance defined on each dimension

The copyright of this drawing is reserved by HellermannTyton. It is issued on condition that it is not reproduced, copied or disclosed to a third party, either wholly or in part, without the consent of HellermannTyton.

Drawn	CRB	08/17/16
Approved	EJH	09/26/16
HellermannTyton		
North America Email: corp@htamericas.com Web: www.hellermann.tyton.com		

Article/Type-No	MOC7FT6.5
Title	7MM (4.5/16") MODULAR OMEGA CLIP WITH 6.5MM FIR TREE
Drawing-No	PROTOTYPE : Phase
16-0315-009-CSU	

Scale	2:1
Project Number	16-0315
Format	AH
Sheet	1/1