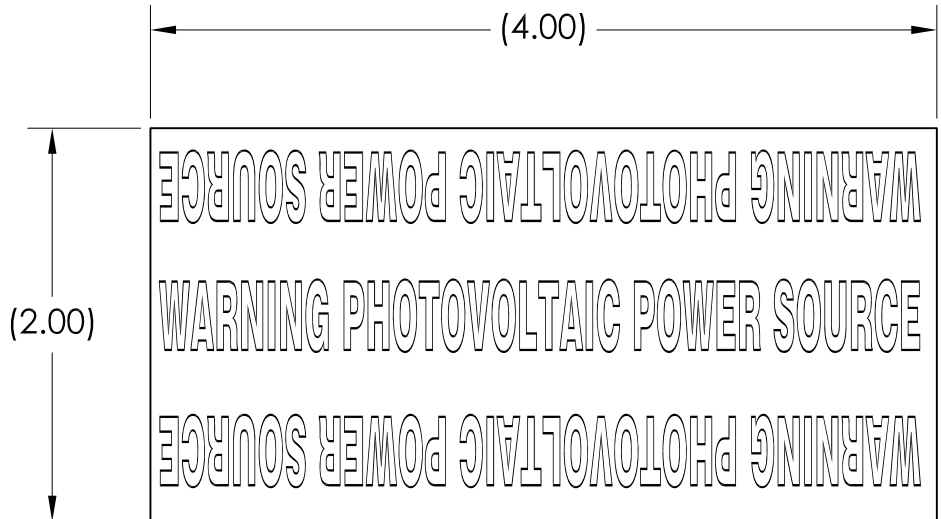
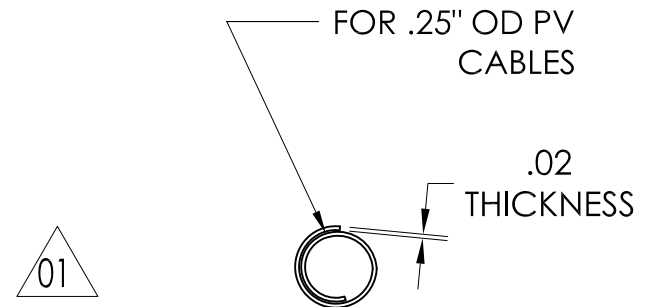


Revision level		Revision Record	Changed	Date	Approved	Date
Drawing	Part					
01	-	SEE ECN# 012296	AAC	03/01/13	KAC	03/01/13



FLATTENED



AS RECEIVED

Material
UV STABLE REFLECTIVE
VINYL COILED

Units inches

Dimension without tolerances details to:
 .XXXX = ± .0005
 .XXX = ± .005
 .XX = ± .01
 .X = ± .03
 None = ± .06
 < = ± 0.5°

The copyright of this drawing is reserved by Hellermann Tyton. It is issued on condition that it is not reproduced, copied, or disclosed to a third party, either wholly or in part, without the consent of Hellermann Tyton.

Drawn	AAC	11/10/11	Article/Type-No	PVPSSNAP4R	Scale	1:1
Approved	KAC	03/01/13	Title	COILED, PRE-PRINTED, REFLECTIVE, NON-ADHESIVE PHOTOVOLTAIC POWER SOURCE MARKER	Project Number	PRP11-0745
HellermannTyton North America Email: corp@htamericas.com Web: www.hellermann.tyton.com			Drawing-No	Production : Phase	Format	AH
			11-0745-001-CSU		Sheet	1/1