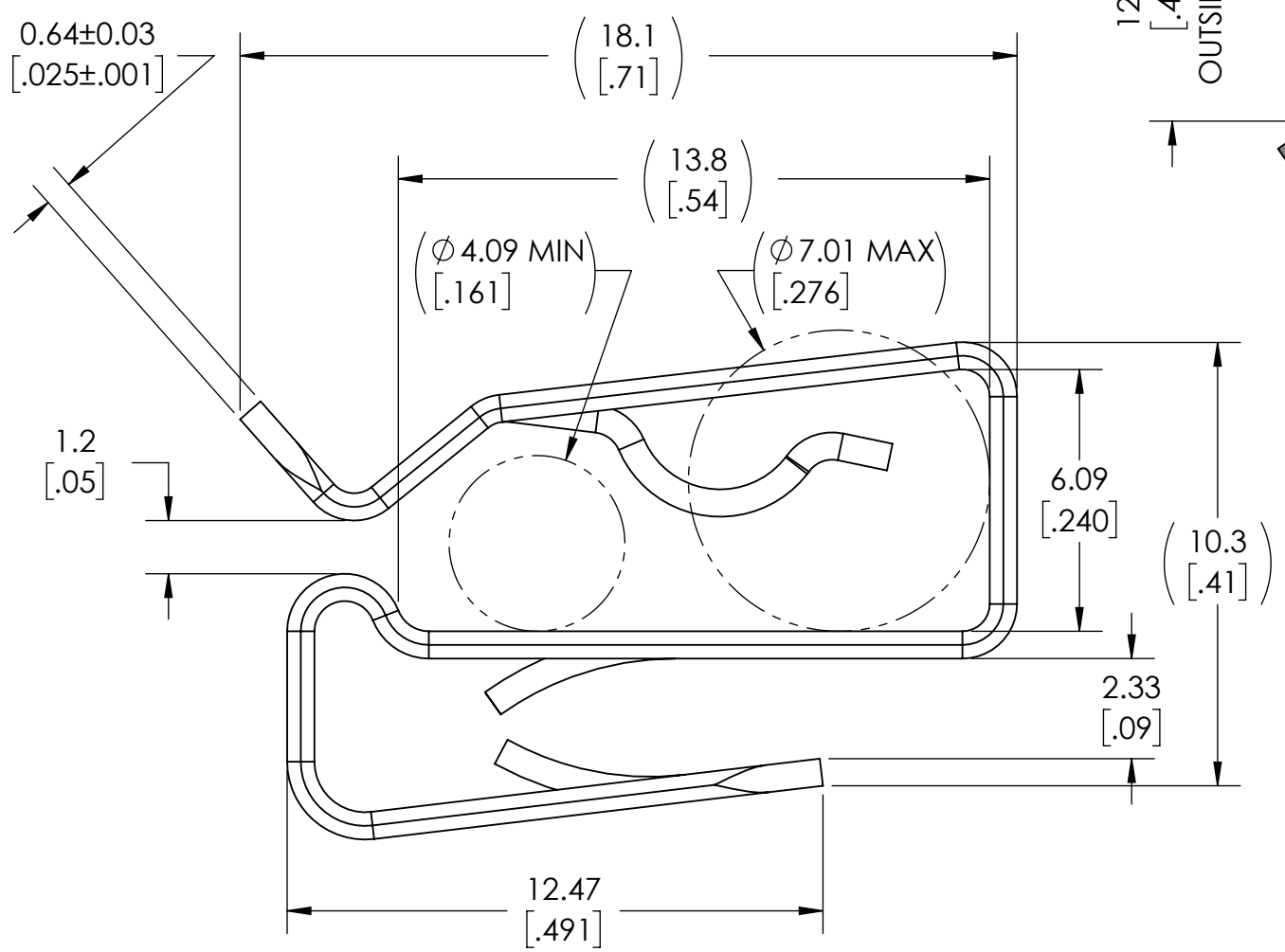
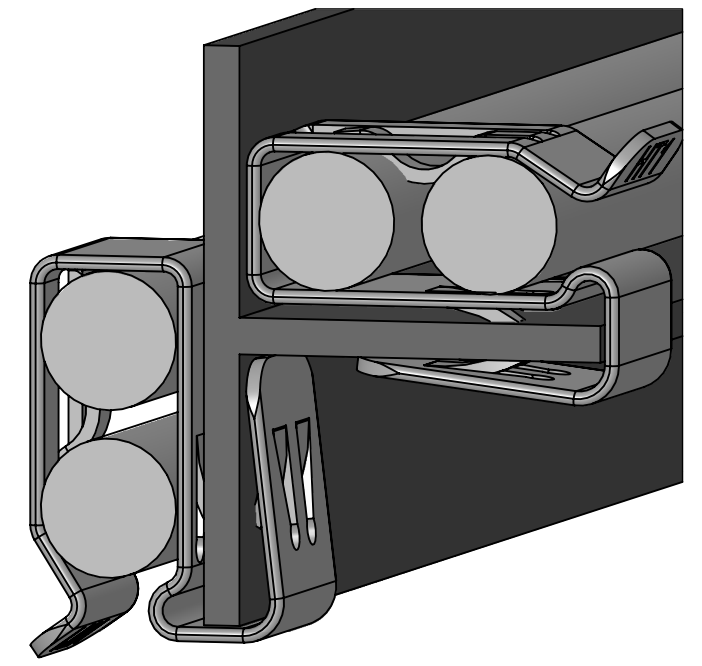
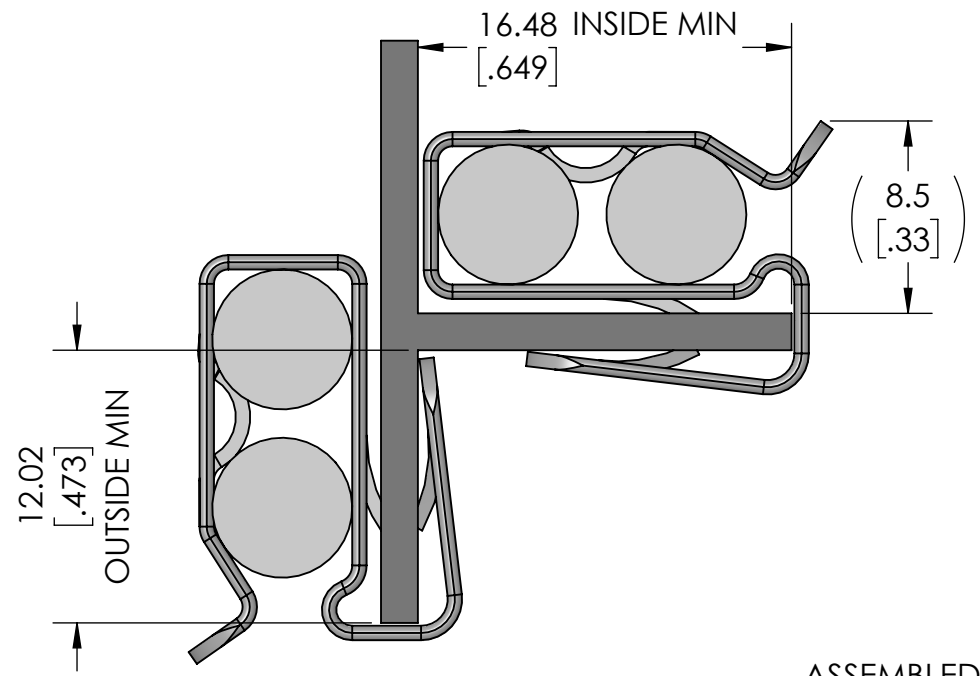
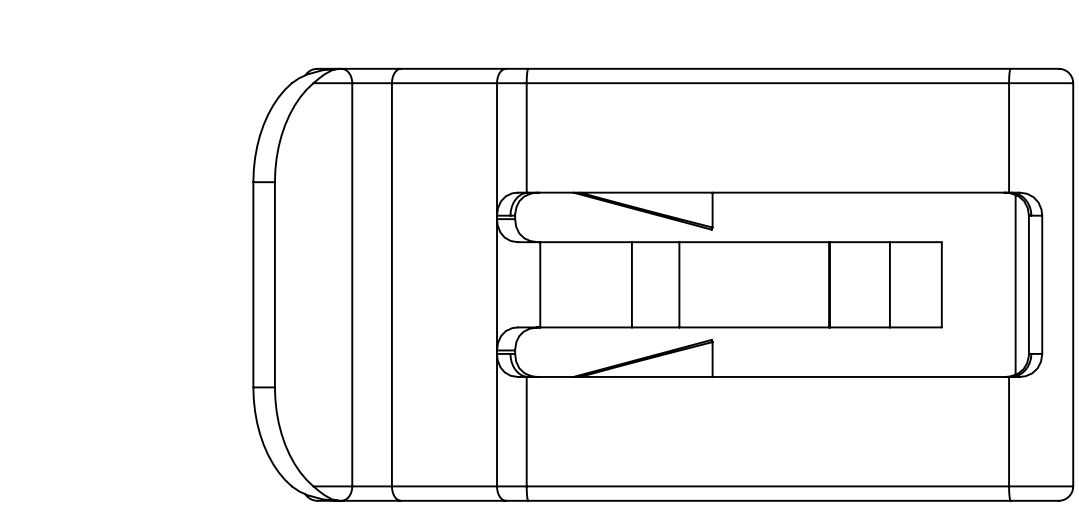
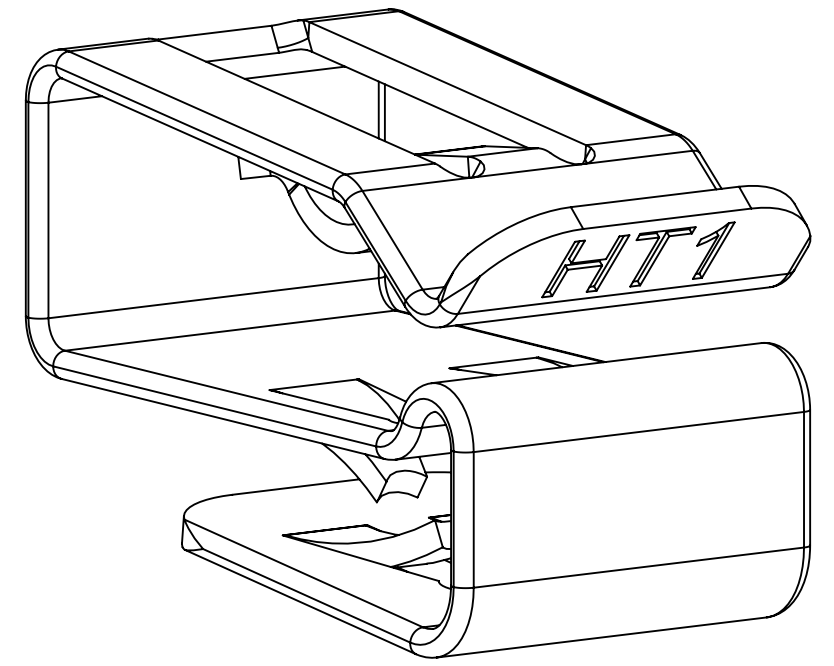
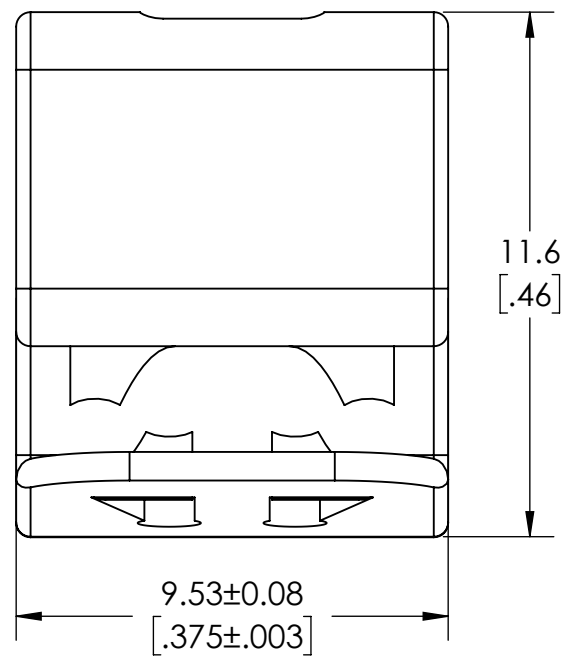


Revision level			Revision Record	Changed	Date	Approved	Date
Drawing	State	Part					
01.1	Design Release	-	SEE ECN# 015524	GAL	11/7/2019	JPG	11/7/2019



ASSEMBLED  
SCALE 3:1



GLOBAL PART DESCRIPTION	MATERIAL	COLOR
MSC2LP1-SS304-ML	SS304	Metal (ML)

NOTES:  
 1. PANEL THICKNESS RANGE: .75 - 1.25mm [.030 - .049in]  
 2. CABLE DIAMETER RANGE: 4.09 - 7.01mm [.161in - .276in]  
 3. INSIDE MIN PANEL DEPTH: 16.48mm [.649in]  
 4. OUTSIDE MIN PANEL DEPTH: 12.02mm [.473in]

Material  
 304 3/4 HARD  
 STAINLESS STEEL  
 FULL ROUND EDGE  
 ROHS COMPLIANT

Units: millimeters  
 Dimension without tolerances details to:  
 .xxx = ±.013  
 .xx = ±.13  
 .x = ±.3  
 None = ±.8  
 < = ±0.5\*  
 Dimension Formatted mm/[in]

The copyright of this drawing is reserved by HellermannTyton. It is issued on condition that it is not reproduced, copied, or disclosed to a third party, either wholly or in part, without the consent of HellermannTyton.

Drawn: GAL 11/7/2019  
 Approved: JPG 11/7/2019  
  
 North America  
 Email: corp@htamericas.com  
 Web: www.hellermann.tyton.com

Article/Type-No	MSC2LP1	Scale	6:1
Title	METAL SOLAR CLIP LOW PROFILE	Project Number	PRP19-1794
Drawing-No	19-1794-001-CSU	Development : Phase	Format
			B
			Sheet
			1/1