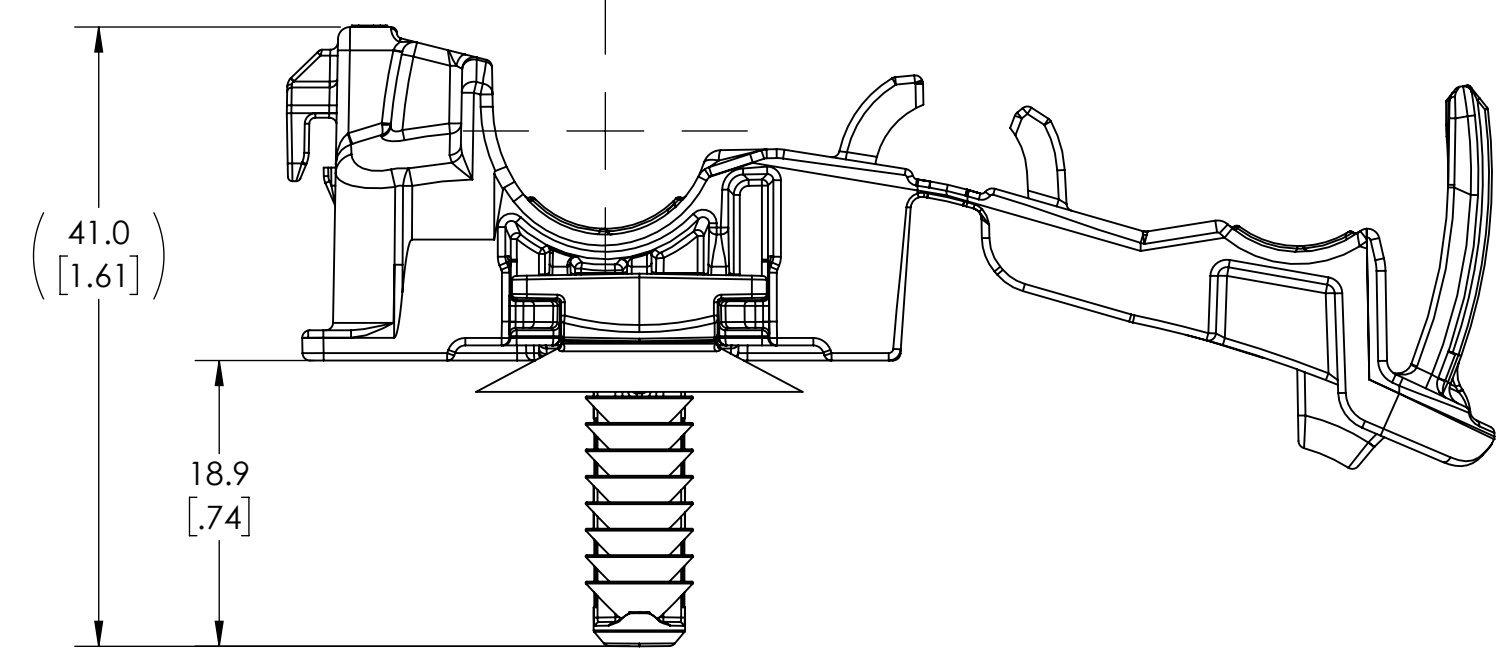
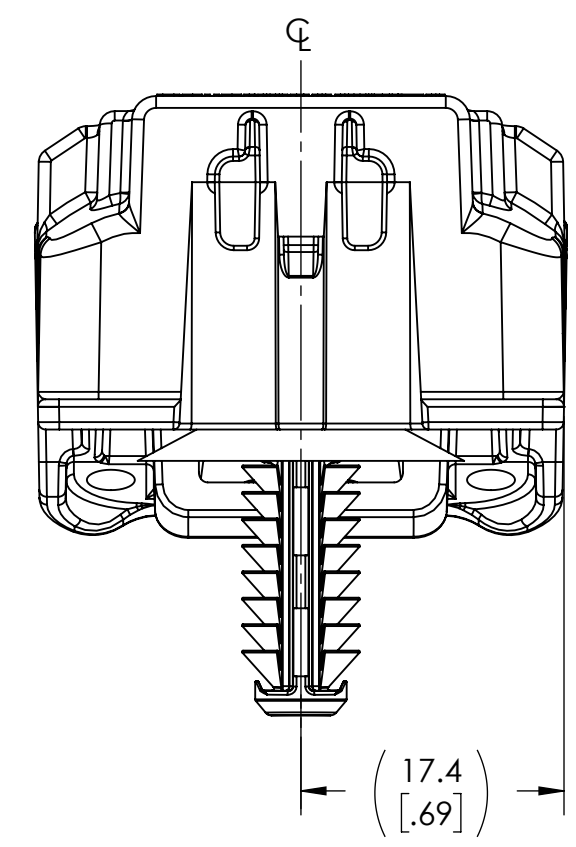
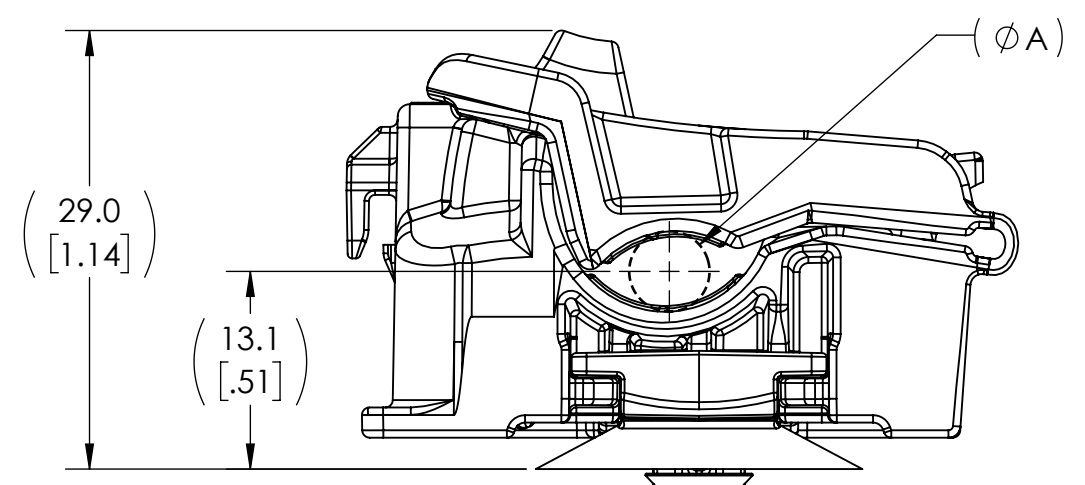
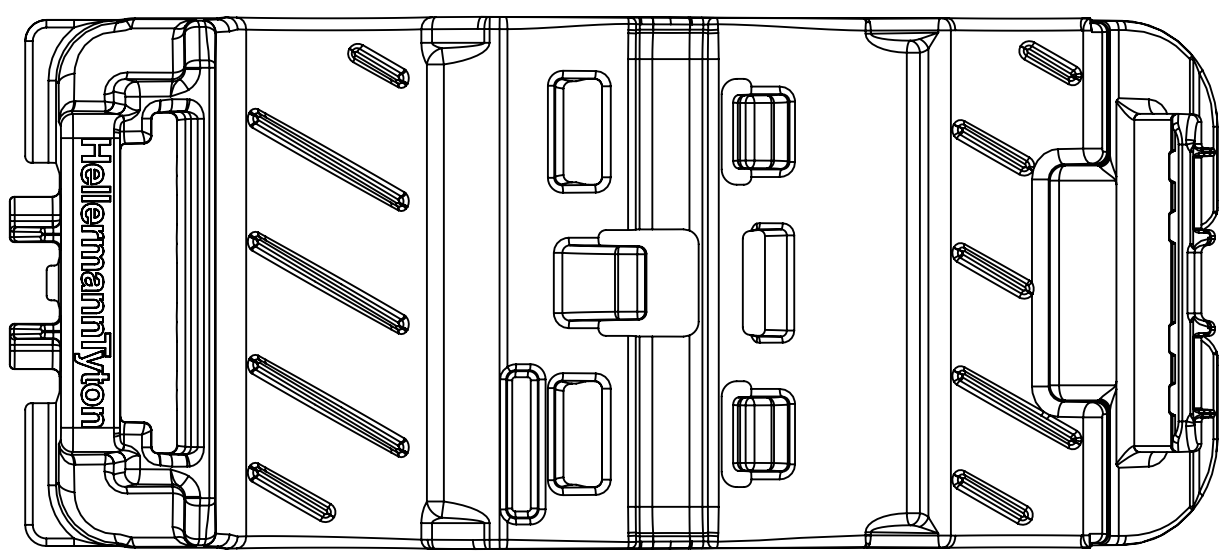
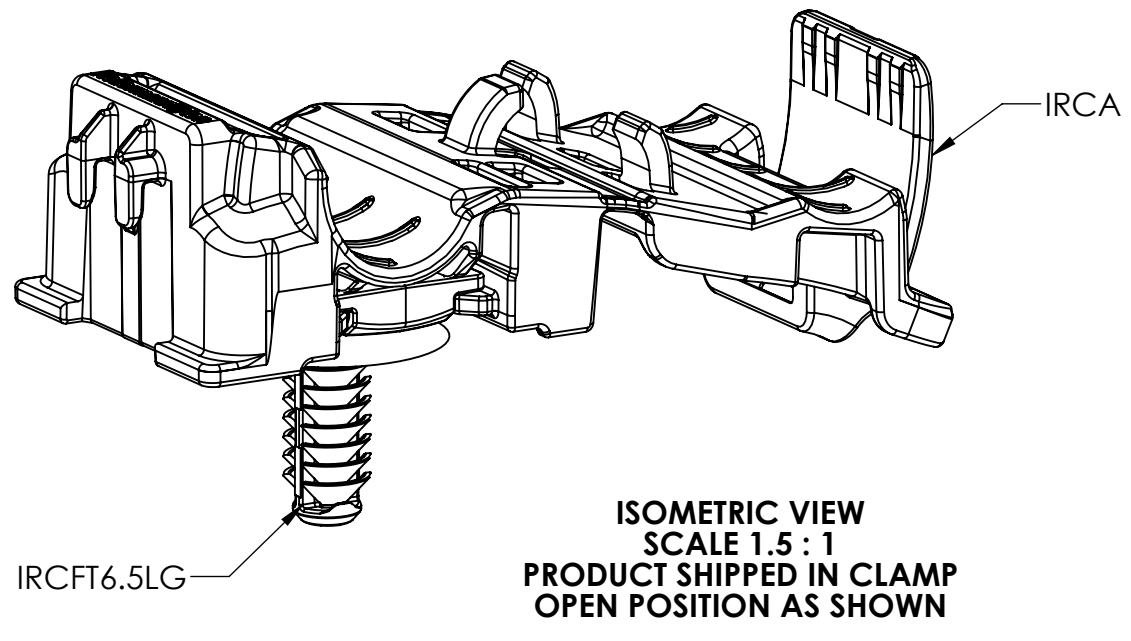
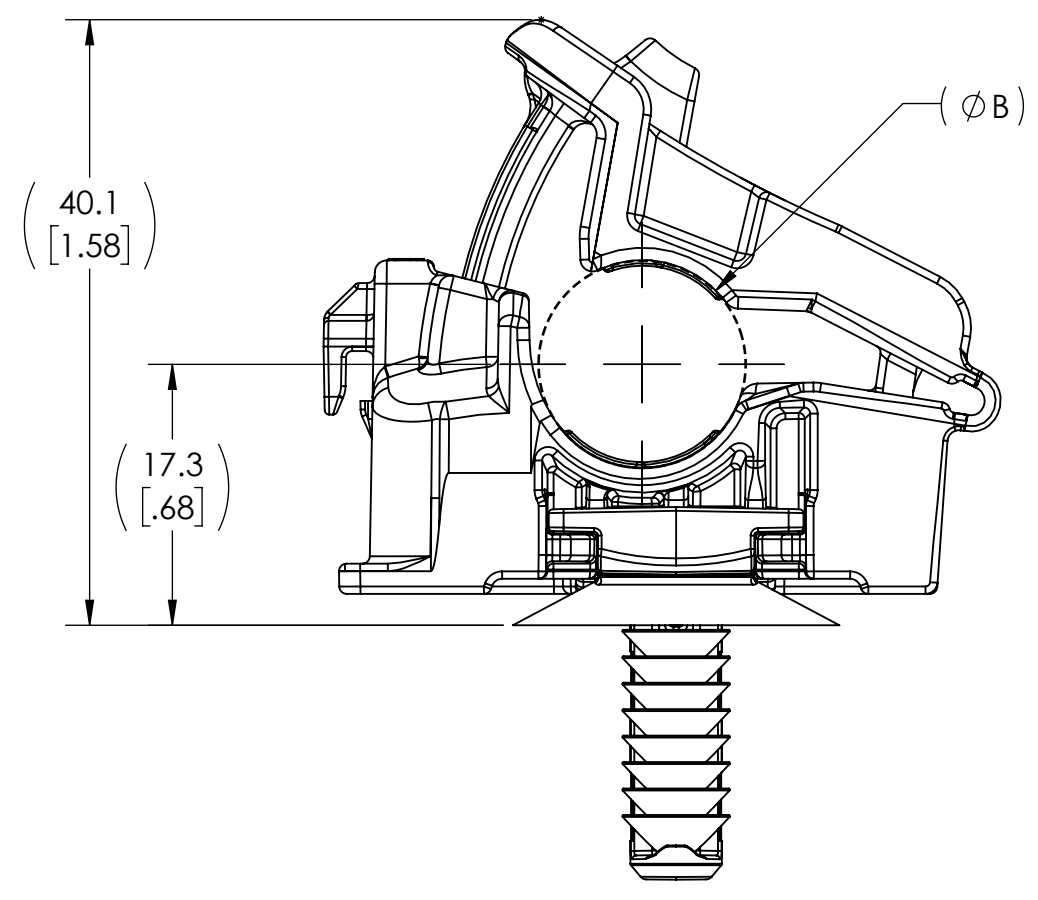
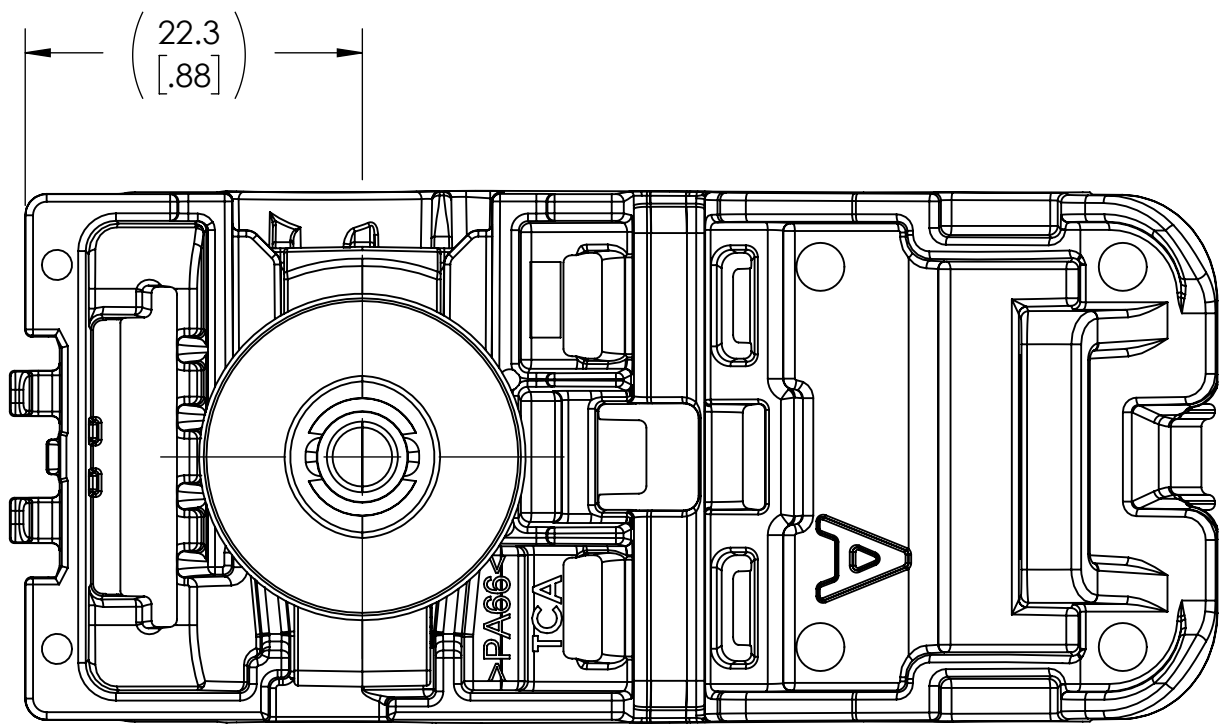


Revision level			Revision Record	Changed	Date	Approved	Date
Drawing	State	Part					
00.0	Design Release		SEE ECN# 015255	MHT	06/28/2019	CTF	06/28/2019



**MINIMUM BUNDLE DIAMETER**



**MAXIMUM BUNDLE DIAMETER**

- REFERENCE:**
- SHEET METAL THICKNESS RANGE: 0.60mm - 9.00mm
  - APPLICABLE HOLE SIZE:
    - A. 6.50mm +/-0.40
    - B. 6.35mm +/-0.20
    - C. 6.60mm +/-0.20
    - D. 6.35mm HEX +/-0.20

GLOBAL PART DESCRIPTION	BUNDLE TYPES	(A) MINIMUM DIAMETER	(B) MAXIMUM DIAMETER	IRCA CLAMP			IRCFT6.5LG CONNECTOR CLIP		
				DRAWING	MATERIAL	COLOR	DRAWING	MATERIAL	COLOR
IRCAFT6.5LG-PA66HIRHSUV-BK	SOFT	6.2 [.24]	13.7 [.54]	16-1639-001-CSU	PA66HIRHSUV	BLACK	16-1645-051-CSU	PA66HIRHSUV	BLACK
	HARD	5.4 [.21]	12.9 [.51]						

Notes	Material	Units: millimeters	The copyright of this drawing is reserved by HellermannTyton. It is issued on condition that it is not reproduced, copied, or disclosed to a third party, either wholly or in part, without the consent of HellermannTyton.	Drawn	MHT	06/24/2019	Article/Type-No	IRCAFT6.5LG		Scale	2:1
	SEE CHART	Dimension without tolerances details to:		Approved	CTF	06/24/2019	Title	INLINE RATCHET P-CLAMP A WITH 6.5mm LONG FIR TREE		Project Number	PRP19-0319
		.xxx = ±.013		HellermannTyton North America Email: corp@htamericas.com Web: www.hellermann.tyton.com	Drawing-No	Production : Phase		Format	C		
		.xx = ±.13			19-0319-101-CSU		Sheet	1/1			
.x = ±.3											
None = ±.8											
< = ±0.5*											
Dimension Formatted mm{in}											