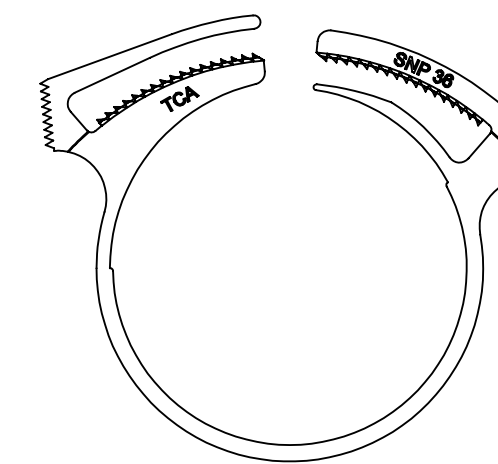


SECTION A-A



AS MOLDED  
FULL SCALE

INVENTORS

**HellermannTyton.**

ALL PROPRIETARY RIGHTS IN THE SUBJECT MATTER SHOWN ON THIS DRAWING ARE EXCLUSIVE PROPERTY OF HELLERMANN TYTON

name date city, state

NOTES

- 1) INSIDE DIAMETERS ARE MEASURED IN THREE PLACES SPACED 120° APART EXCLUDING .012 X .016 WIDE RIB
- 2) 34 TOTAL TEETH, 17 TEETH POSITIONS

REVISIONS

DR level	02
AW by	CTF
IN date	06/14/2019
NG ECN #	015220
part level	A

DIMENSIONS

TOLERANCES  
 .xxxx =  
 .xxx = NOTED  
 .xx =  
 .x =  
 < =  
 unless otherwise specified  
 units inches / [mm]

PART

number	SNP36GHS	phase	PRODUCTION
name			
SNAPPER 36 HOSE CLAMP			
material			
PA66GF13 or PA66HIRHSG15 COLOR: BLACK			

DRAWING

format	version	N	C	CAD	SW	scale	2:1
computer file number	CP\CP2036\CP2036001CST_02		previous number	CP\CP2036\CP2036001CST_01			
drawn	K.A.C.	checked	M.E.F.	approved	MHT		
date	11/6/92	date	07/31/001	date	06/14/19		
type	CUSTOMER		sheet		1 of 1		
number	CP2036001CST						