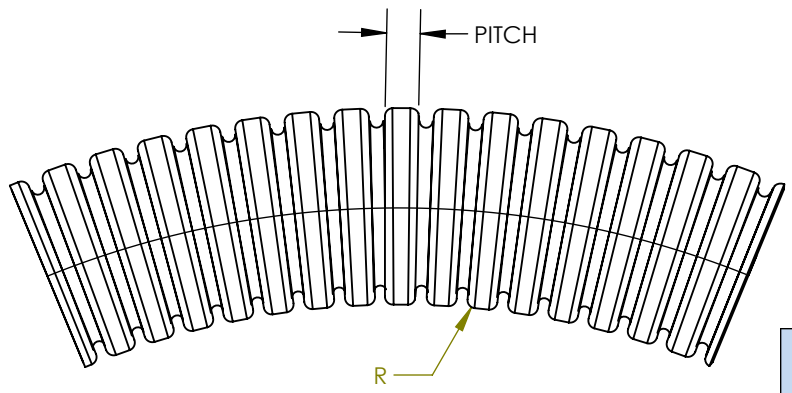
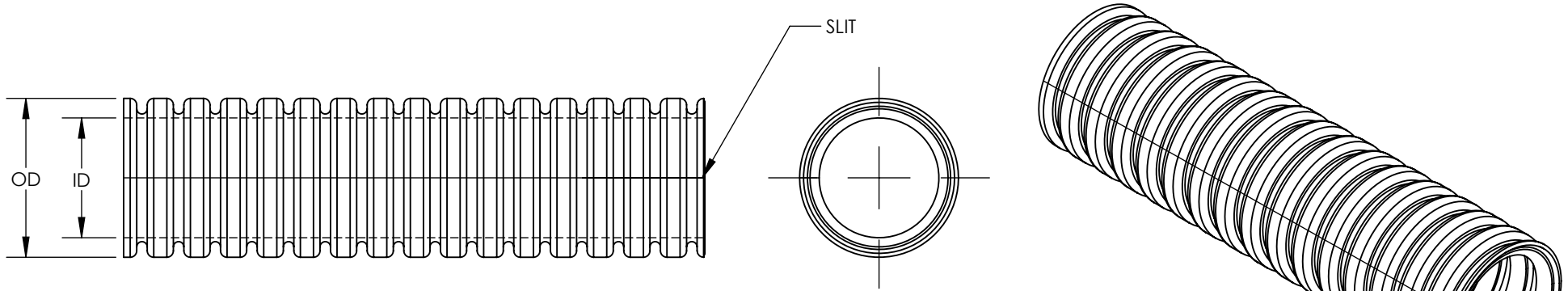


SW2014



Revision level			Revision Record	Changed	Date	Approved	Date
Drawing	State	Part					
00.0	Design Release		SEE ECN# 013582	GRW	10/12/2016	KAC	10/12/2016



Conduit Size		Euro Size	Pitch	HellermannTyton	Man'f Part	Outside Dimension (OD)		Inside Dimension (ID)		Minimum Bend Radius	Compression Strength	Weight
in.	mm	(NW)	F or C	Item Number	Reference	in	mm	in	mm	mm	kg/100mm	lbs / foot
3/8	16	12	F	HG-HISL0380	FPI16-S	0.63	15.8	0.47	11.8	30	45	0.024
1/2	21	17	F	HG-HISL0500	FPI21-S	0.84	21.2	0.66	16.7	35	45	0.037
3/4	28	23	C	HG-HISL0750	FPI28-S	1.13	28.5	0.86	22.8	45	70	0.062
1	34	29	C	HG-HISL1000	FPI34-S	1.36	34.5	1.11	28.1	55	70	0.081
1.25	42	36	C	HG-HISL1250	FPI42-S	1.68	42.5	1.40	35.5	60	70	0.108
1.5	54	48	C	HG-HISL1500	FPI54-S	2.15	54.5	1.86	47.2	70	50	0.148

Material  
PA12

Units: inches  
Dimension without tolerances details to:  
.xxxx = ±.0005  
.xxx = ±.005  
.xx = ±.01  
.x = ±.03  
None = ±.06  
∠ = ±0.5°  
Dimension Formatted in[mm]

The copyright of this drawing is reserved by HellermannTyton. It is issued on condition that it is not reproduced, copied, or disclosed to a third party, either wholly or in part, without the consent of HellermannTyton.

Drawn GRW 10/12/2016  
Approved KAC 10/12/2016

**HellermannTyton**  
North America  
Email: corp@htamericas.com  
Web: www.hellermann.tyton.com

Article/Type-No HG-HISL SERIES  
Title **HELAGUARD STANDARD WEIGHT HIGH IMPACT NYLON SLIT CONDUIT**  
Drawing-No PRODUCTION : Phase  
**15-0775-001-CSU**

Scale 2:1  
Project Number PRP 15-0775  
Format AH  
Sheet 1/1