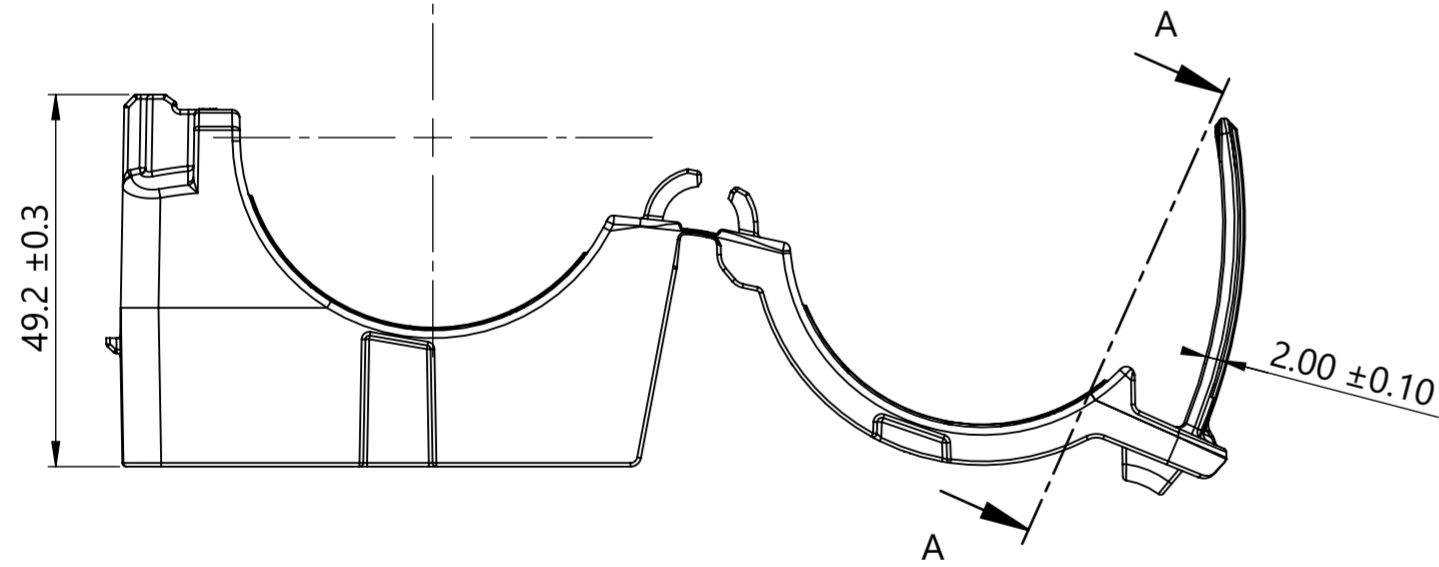
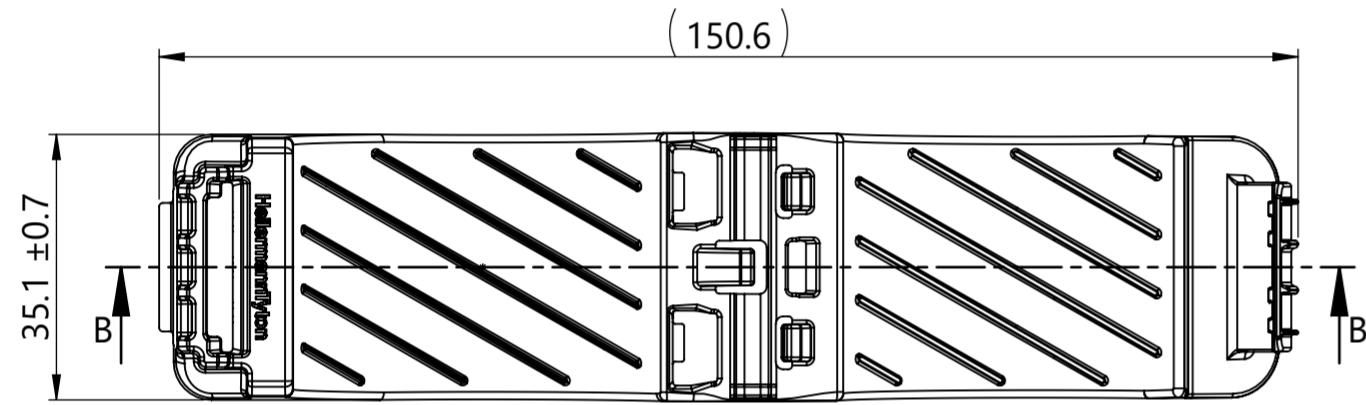
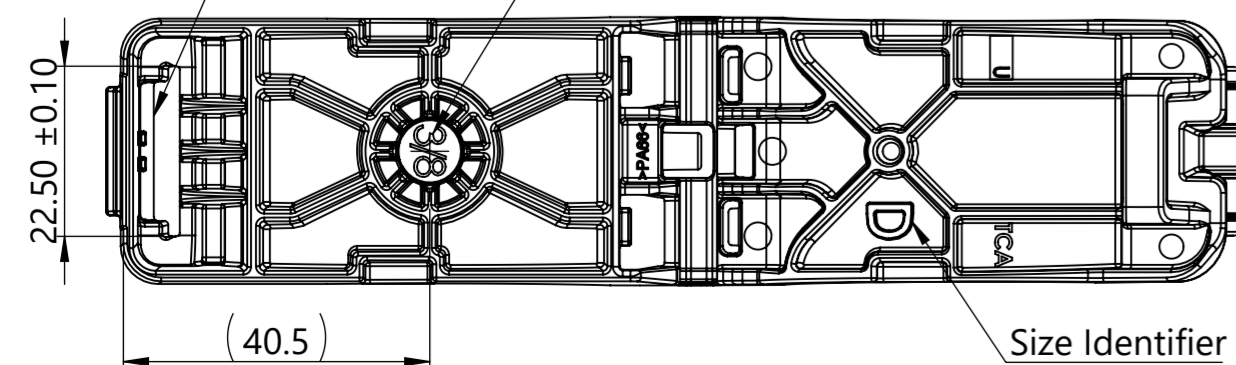


Isometric View
Product shipped in clamp open position

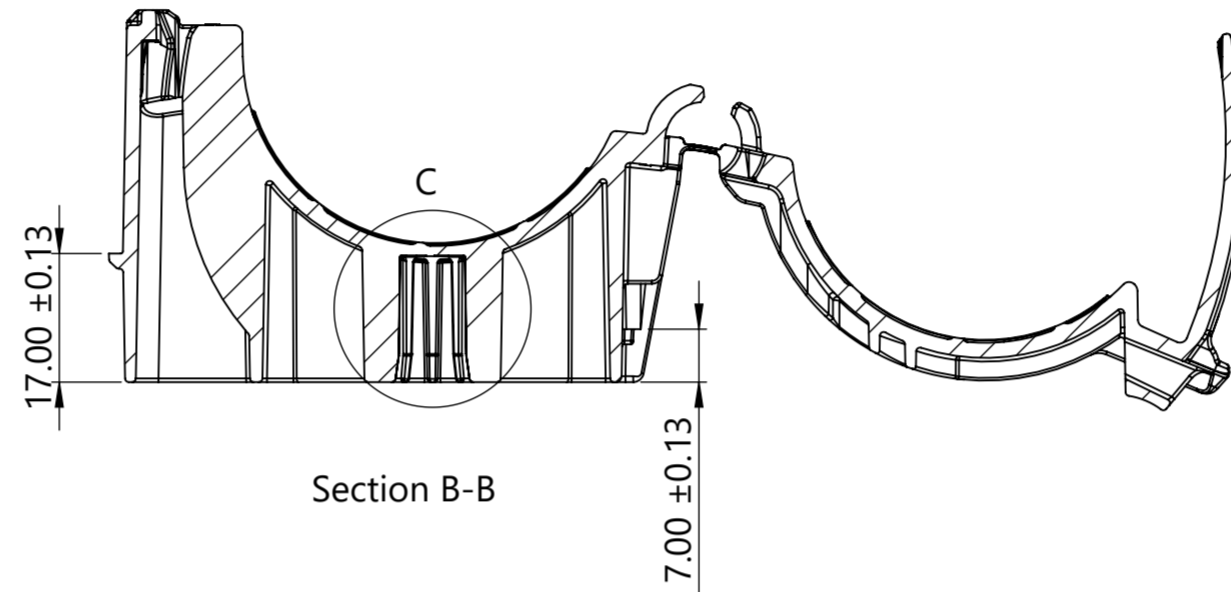


0.10 Maximum flash or mismatch allowed inside head

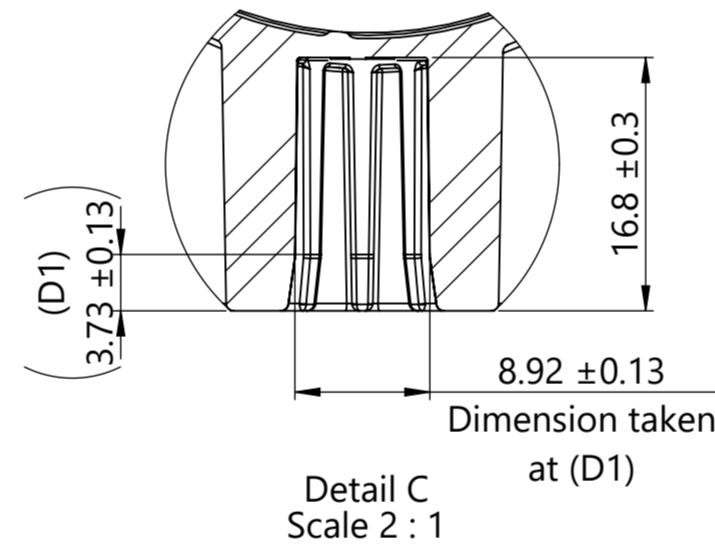
Mount size identifier



Size Identifier



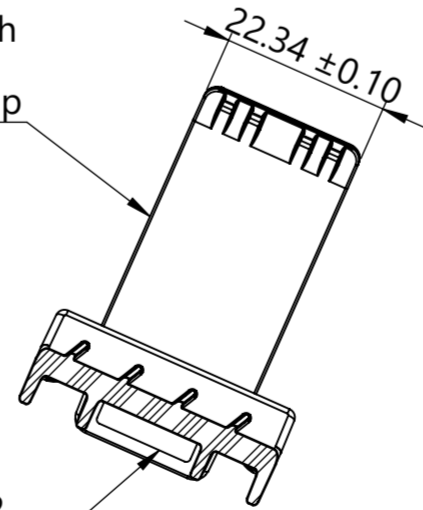
Section B-B



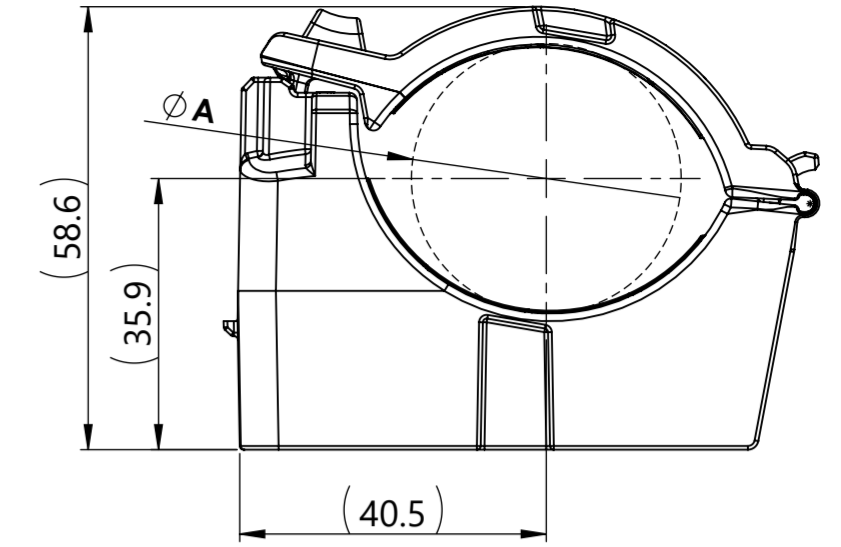
Detail C
Scale 2 : 1

0.10 Maximum flash or mismatch allowed around perimeter of strap

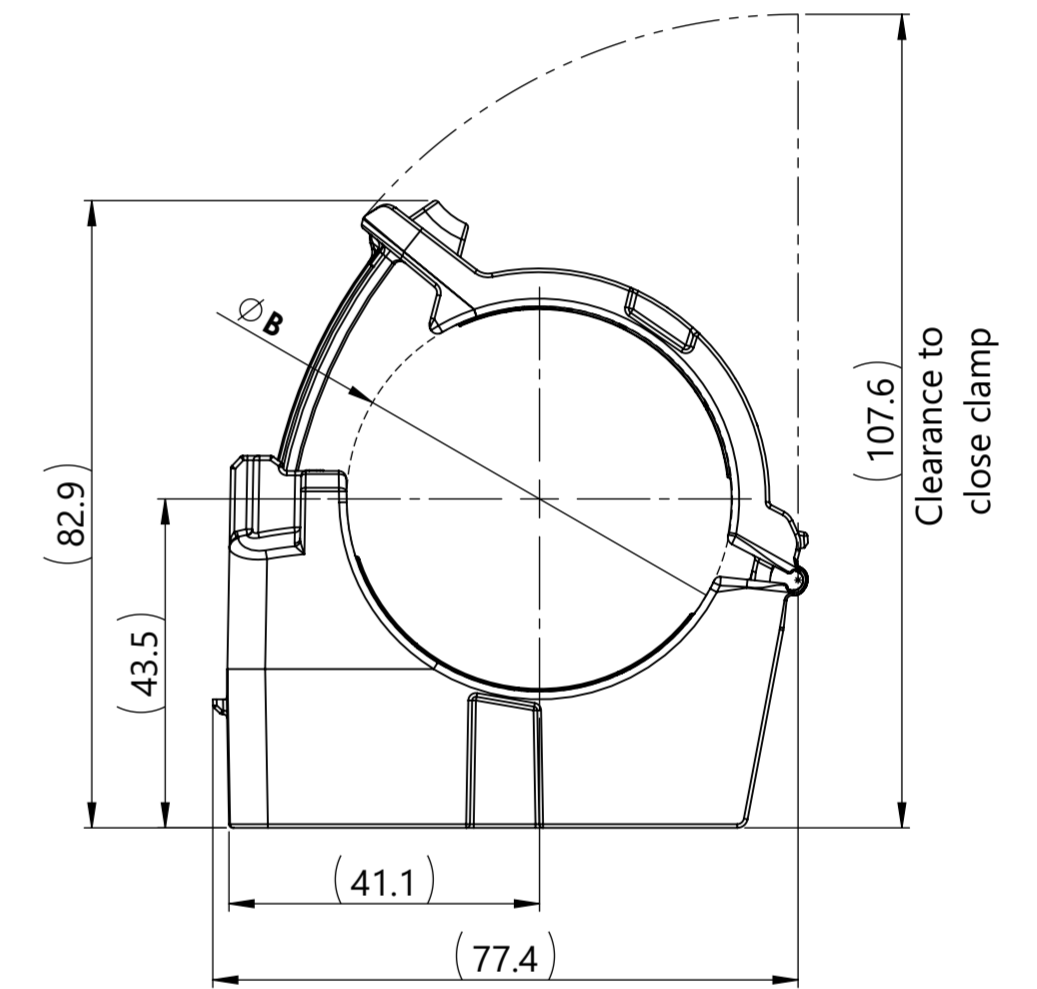
Saddle opening accommodates Straps up to 13.2 wide and 2.1 thick



Section A-A



Minimum Bundle Diameter



Maximum Bundle Diameter

Performance requirements:
Dry as molded with ≤ 0.5% moisture content:

- ITS-0001 Ratchet Clamp Split Mandrel Test: 445 newtons [100 lbf] minimum at a nominal bundle diameter of 44.45 [1.750in]

Bundle Types	A Minimum Diameter	B Maximum Diameter
Soft	36.0 ± 0.3	51.0 ± 0.3
Hard	35.2 ± 0.3	49.9 ± 0.3

Notes:

- Material: See chart
- Material color: See chart
- Maximum percent regrind permissible: 25%
- Maximum allowable flash to be: 0.50 "Unless otherwise noted"
- Maximum allowable mismatch to be: 0.15 "Unless otherwise noted"

Global Part Number	Global Part Description	Mounting Hole Size	Type Number	Material	Color
21-0239	CMRCDTR38-PA66HIRHSUV-BK	3/8"	CMRCDTR38	PA66HIRHSUV	Black

Revision level			Revision Record		
Drawing	State	Part	ECN 016829		
00.0	Design Release	-			
Changed	Date (YYYY/MM/DD)				
Spangler	2022/01/18				
Approved	Date (YYYY/MM/DD)				
Toll	2022/01/18				

The copyright of this drawing is reserved by HellermannTyton.

Drawn: Spangler, Date: 2021/04/28
Approved: Toll, Date: 2021/04/28
Units: mm
HellermannTyton
www.HellermannTyton.com

CMRCDTR38
Title: Center Mount RCD Ratchet P-Clamp, Size D, Clamp Range 36.0 to 51.0, 3/8 inch Threaded Rod
Scale: 1:1
Global Project Number: 21-0239
Drawing-No: 21-0239-004-CSU
Format: A2
Sheet: 1/1