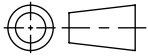
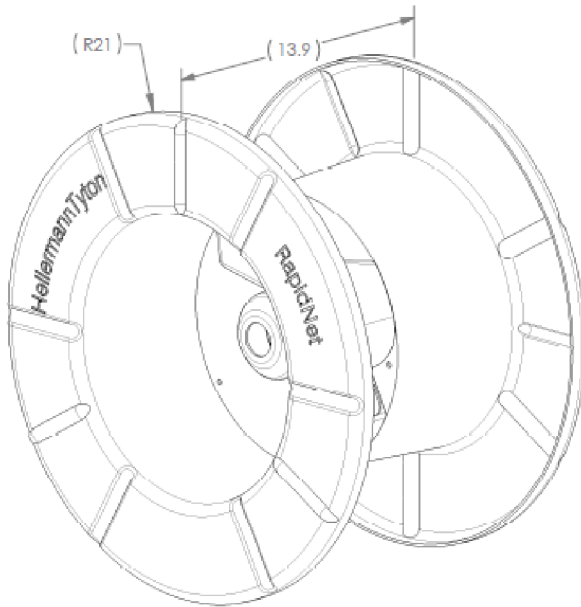


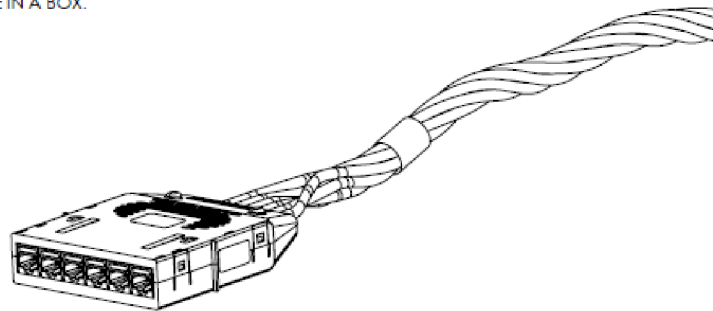
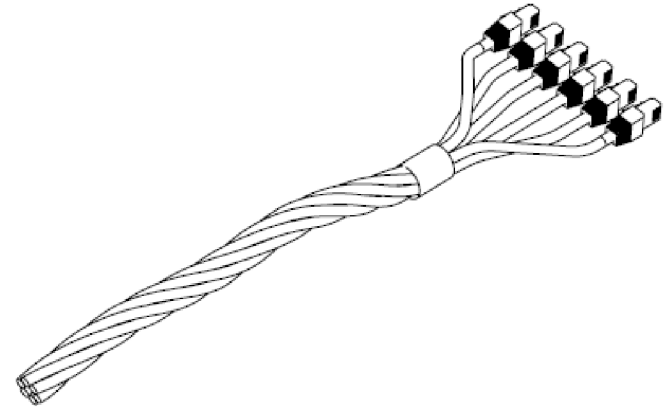
SW2014



Revision level			Revision Record	Changed	Date	Approved	Date
Drawing	State	Part					
00.0	Design Release		SEE ECN# 013529	GRW	8/22/2016	KAC	8/22/2016



CABLE ASSEMBLIES LONGER THAN 75 FEET WILL BE WOUND ONTO A SPOOL  
 THE ENDS ARE PROTECTED WITH BUBBLE WRAP AND THE CABLE IS WRAPPED IN CARDBOARD.  
 CABLE ASSEMBLIES LESS THAN 75 FEET WILL BE IN A BOX.



**PRODUCT DESCRIPTION:**

RNC6ARWCBNBXXX



**NOTES**

- 1) PART NUMBER "RNC6ARWCBNBZXXX": XXX = 10' - 295'
- 2) PRODUCT IS FULLY ASSEMBLED AND TESTED. READY TO INSTALL
- 3) CASSETTE SNAPS INTO RAPIDNET RACK MOUNT.

Material <b>ASSEMBLED</b>	Units: <b>millimeters</b>	The copyright of this drawing is reserved by HellermannTyton. It is issued on condition that it is not reproduced, copied, or disclosed to a third party, either wholly or in part, without the consent of HellermannTyton.	Drawn	GRW	8/22/2016	Article/Type-No 904-00929 / RNC6ARWCBNBXXX	Scale	1:1	
	Dimension without tolerances details to: .xxx = ±.013 .xx = ±.13 .x = ±.3 None = ±.8 ∠ = ±0.5° Dimension Formatted mm/[in]		Approved	KAC	8/22/2016		Title	<b>RAPIDNET CAT6 UTP RNC CASSETTE TO JACK INLINE</b>	Project Number
	North America Email: corp@htamericas.com Web: www.hellermann.tyton.com			Drawing-No	PRODUCTION : Phase		Format	AH	
							<b>16-1337-002-CSU</b>		Sheet